

PART NAME

NEMA 4X ENCLOSURE

PART No.

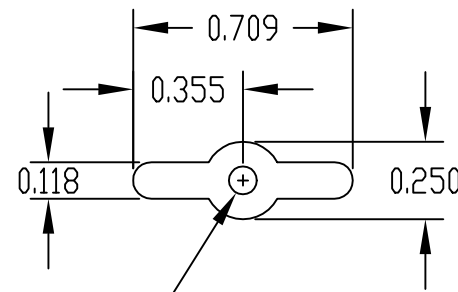
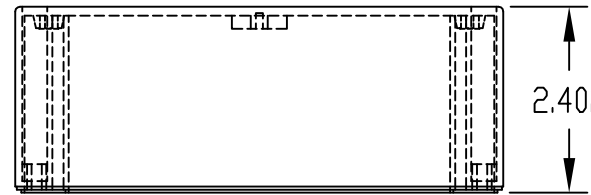
PN-1339, PN-1339-C AND PN-1339-DG

REV. DATE

11-17-08

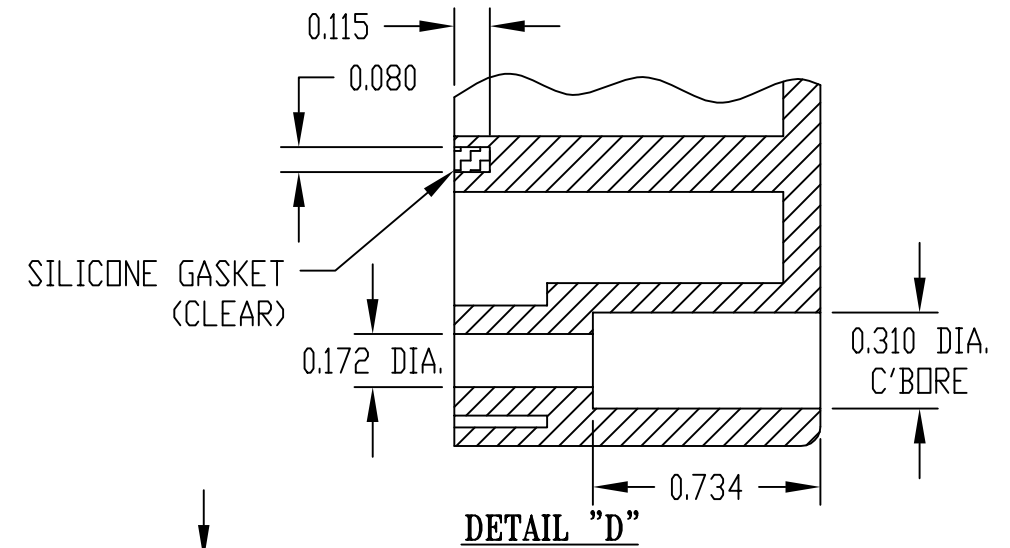
INDUSTRY STANDARDS:

- POLYCARBONATE (LIGHT GRAY AND CLEAR)
- UL94-HB FLAMMABILITY RATING (UL FILE #E41613)
- UV STABILIZED
- SERVICE TEMPERATURE RANGE: -40°C TO +120°C
- ABS (DARK GRAY)
- UL94-HB FLAMMABILITY RATING (UL FILE #E56070)
- SERVICE TEMPERATURE RANGE: -40°C TO +80°C

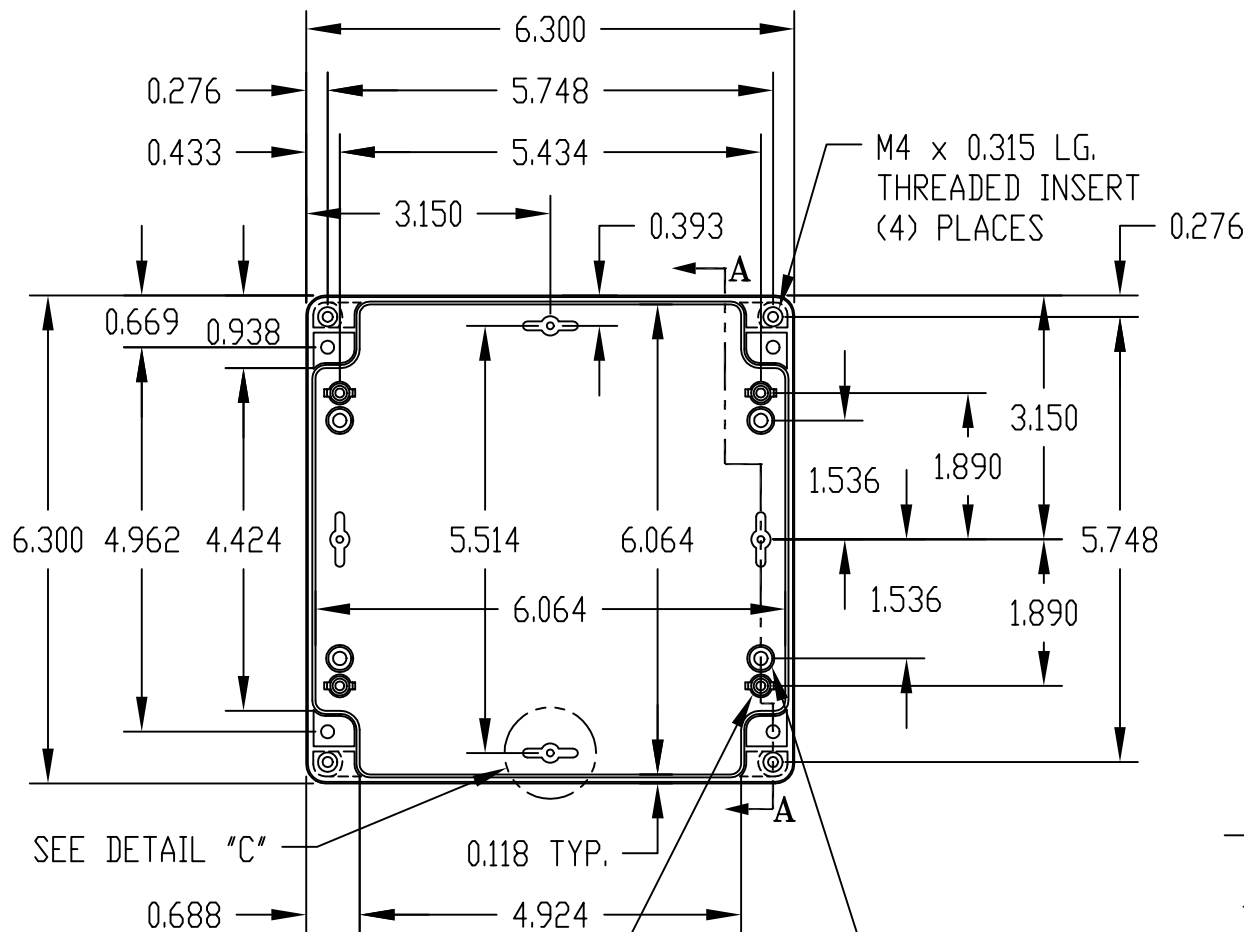


0.090 DIA. HOLE x 0.203 DEEP  
MOUNTING BOSSES USE EITHER  
M2.5 METRIC OR #4 STD. SHEET  
METAL SCREWS x 0.188 LG.  
(NOT SUPPLIED)

DETAIL "C"  
(4) PLACES



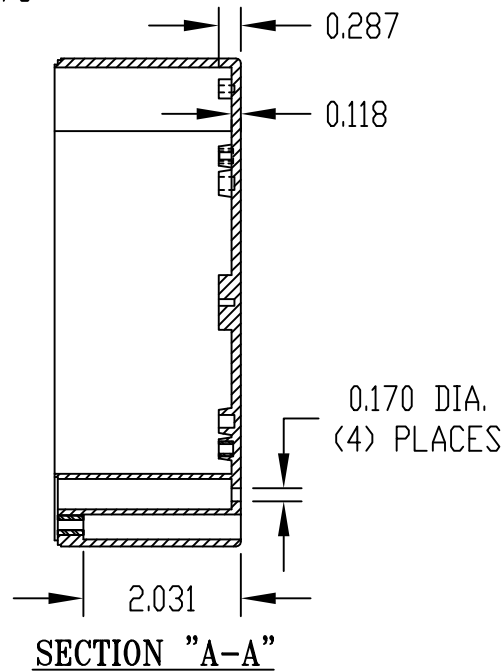
DETAIL "D"



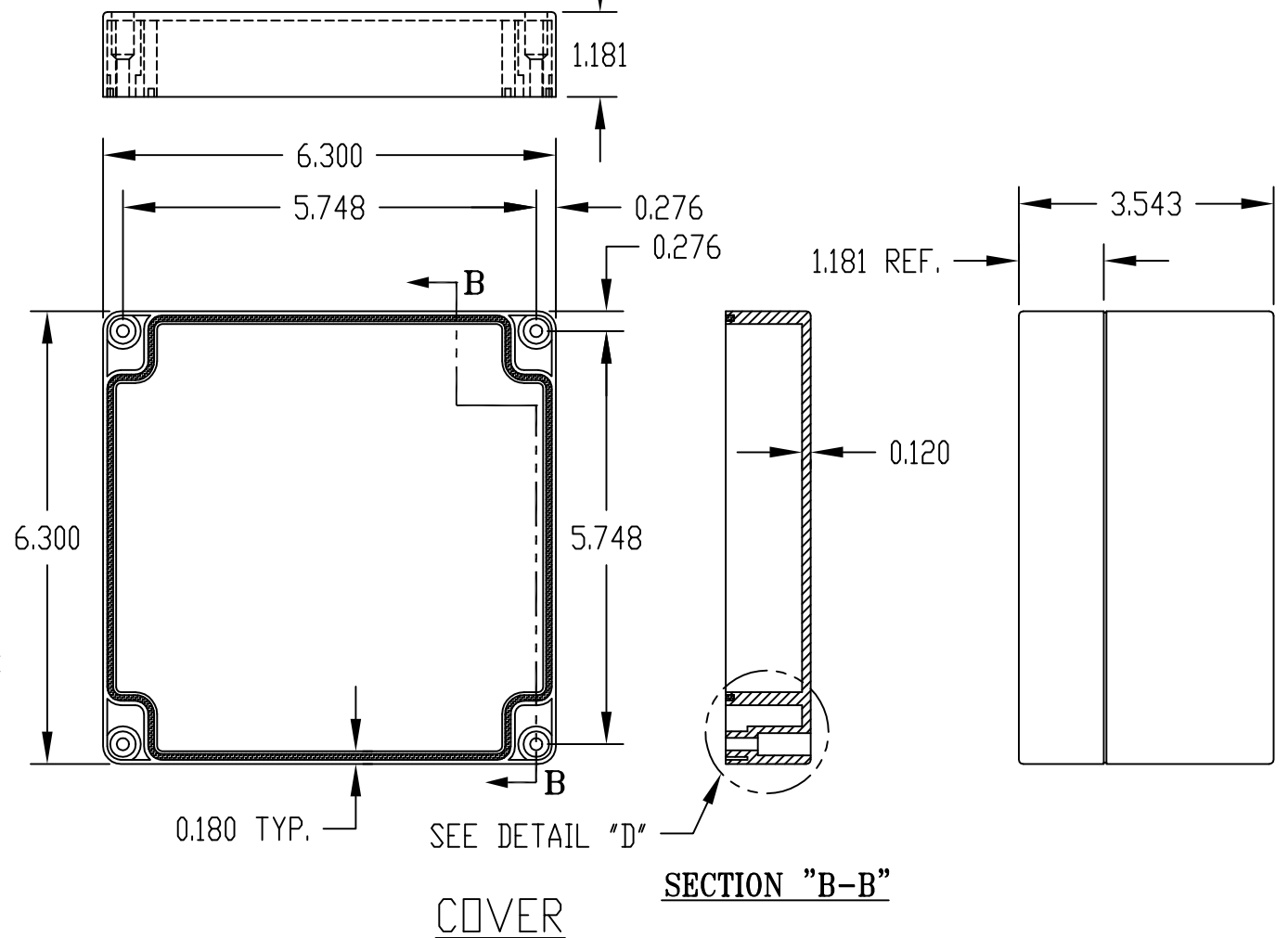
BODY

0.250 DIA. BOSS WITH  
M3 x 0.188 LG.  
THREADED INSERT  
(4) PLACES  
(SCREWS NOT SUPPLIED)

0.298 DIA. BOSS WITH  
0.174 DIA. HOLE x 0.203 DEEP  
(4) PLACES  
MOUNTING BOSSES USE EITHER  
M5 METRIC OR #10 STD. SHEET  
METAL SCREWS x 0.312 LG.  
(NOT SUPPLIED)



SECTION "A-A"



COVER

SECTION "B-B"

NOTE: ALL DIMENSIONS HAVE ±0.015 TOLERANCE UNLESS OTHERWISE SPECIFIED.

PART NUMBER	MATERIAL		FINISH		HARDWARE KIT
	BODY	COVER	BODY	COVER	
PN-1339	POLYCARBONATE		LIGHT GRAY		KIT CONTAINS (4) M4 x 20mm (0.787") LG. SCREWS FOR ASSEMBLY
PN-1339-C	POLYCARBONATE		LIGHT GRAY	CLEAR	
PN-1339-DG	HIGH-IMPACT ABS		DARK GRAY		

## Authorized Distribution Brand :



## Website :

Welcome to visit [www.ameya360.com](http://www.ameya360.com)

## Contact Us :

### ➤ Address :

401 Building No.5, JiuGe Business Center, Lane 2301, Yishan Rd  
Minhang District, Shanghai , China

### ➤ Sales :

Direct +86 (21) 6401-6692

Email [amall@ameya360.com](mailto:amall@ameya360.com)

QQ 800077892

Skype ameyasales1 ameyasales2

### ➤ Customer Service :

Email [service@ameya360.com](mailto:service@ameya360.com)

### ➤ Partnership :

Tel +86 (21) 64016692-8333

Email [mkt@ameya360.com](mailto:mkt@ameya360.com)