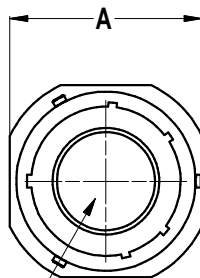
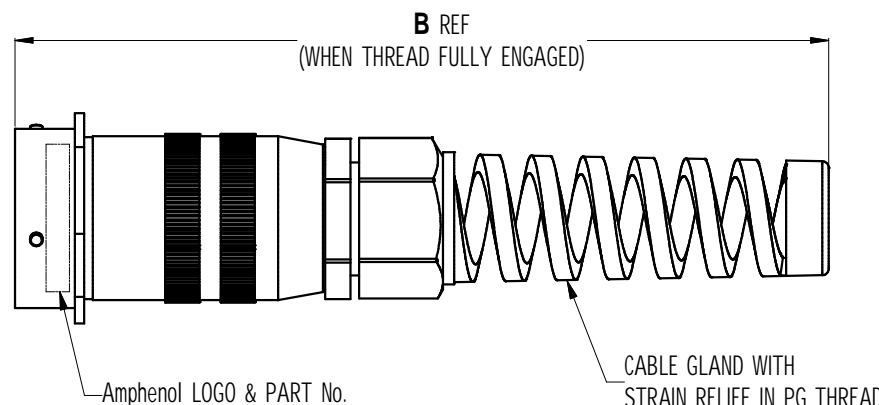


ISOMETRIC VIEW



CONTACTS NOT SHOWN
FOR No OF CONTACTS REFER TO TABLE



Parts List, Dimensions in mm

ITEM	CATALOGUE P/No	SHELL SIZE	No. OF CONTACT	CABLE GLAND THREAD SIZE	A	LENGTH B
1	MP-6211-39S	20	39	PG16	36.5	181
2	MP-6211-61S	24	61	PG21	43.0	193

CUSTOMER DRAWING

NOTES:

1. MATERIAL AND FINISH: DIE CAST ALUMINUM ALLOY, BLACK FINISH.
2. SUPPLIED WITH GOLD PLATED SOLDER SOCKET CONTACTS.

REV.	CHANGE DETAILS	BY	DATE	CHG/No
3	CHANGE FINISH TO BLACK COATING	T.N	17/02/06	8478
2	ADD CONTACT ID ON BOTH SIDE OF INSERT CHANGE TO PG21 FOR SHELL SIZE 24	T.N	09/09/05	8422
1	CHANGE FINISH FROM PLATING TO COATING	L.V	16/04/2004	8277
0	FIRST ISSUE	T.N	6/02/2004	---

UNLESS OTHERWISE SPECIFIED TOLERANCE TO BE		THIS DOCUMENT IS THE PROPERTY OF AMPHENOL AUSTRALIA PTY. LTD.. NO PART THEREOF MAY BE REPRODUCED AND USED WITHOUT THE PRIOR WRITTEN CONSENT OF THE OWNER				TITLE: CABLE CONNECTING RECEPTACLE WITH SOCKET CONTACTS		Amphenol Amphenol Australia Pty.Ltd, 2 Fireways Blvd, Keaysborough, Vic3172	
LINEAR	ANGULAR	CAD FILE: 55010268000213	DRN: T.N	DATE: 6/02/2004	DRAWING NO. 55010268-000-2		SHEET 2/2		
X ± N/A	X' ± 1	MATL: SEE NOTE 1	CKD: P.M	DATE: 20/02/06	PART No: SEE TABLE		SIZE: A4		
XX ± N/A	XX' ± 30'	FINISH: SEE NOTE 1	APP'D: P.M	DATE: 20/02/06	SCALE: NTS				
XXX ± N/A	XXX' ± 15'	DIMENSIONS IN MILLIMETRES		THIRD ANGLE PROJECTION					

AMEYA360

Components Supply Platform

Authorized Distribution Brand :



Website :

Welcome to visit www.ameya360.com

Contact Us :

➤ Address :

401 Building No.5, JiuGe Business Center, Lane 2301, Yishan Rd
Minhang District, Shanghai , China

➤ Sales :

Direct +86 (21) 6401-6692

Email amall@ameya360.com

QQ 800077892

Skype [ameyasales1](#) [ameyasales2](#)

➤ Customer Service :

Email service@ameya360.com

➤ Partnership :

Tel +86 (21) 64016692-8333

Email mkt@ameya360.com