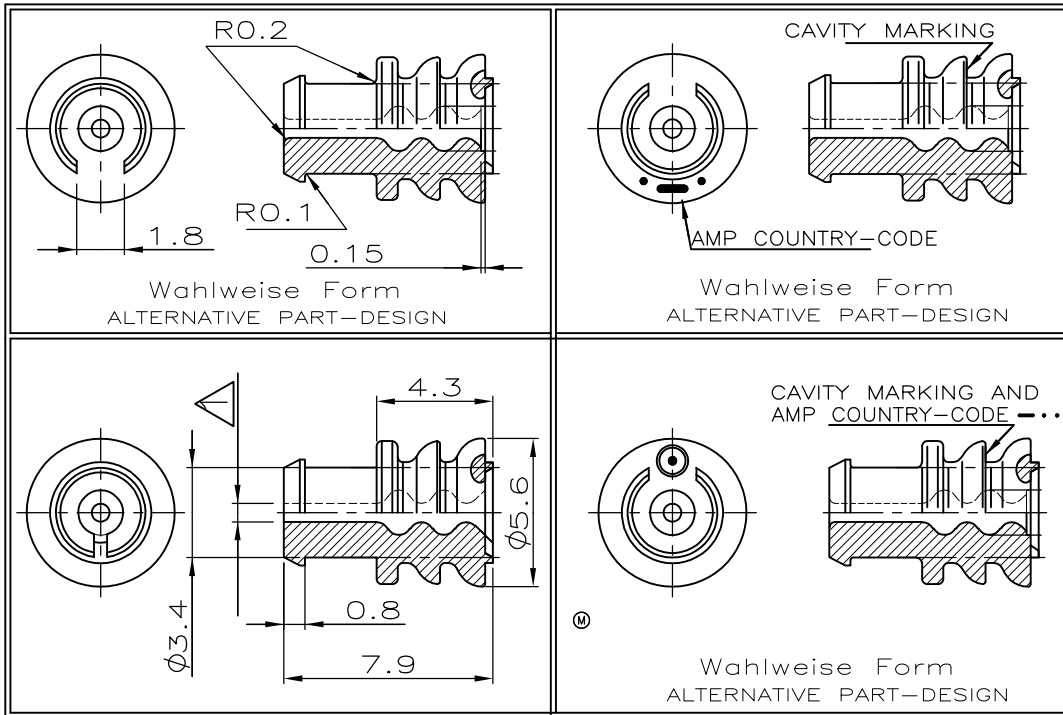


ANDERUNGEN, DIE DEM TECHNISCHEN FORTSCHRITT DIENEN, BEHALTEN WIR UNS VOR	LOC	DIST	REVISIONS					
			P	LTR	DESCRIPTION	DATE	DWN	APVD
NUMMER 828904			M2		REVISED PER ECO-11-005150	21MAR11	RK	HMR
VERWENDET FÜR								
WAR NR. 87-9398-50								

M1:1



- 4 ^(M) Verpackt in Kunststoff-Beutel zu 5 000 Teilen
PACKAGING IN PLASTIC BAG: QTY 5 000 PIECES
- 3 ^(U) Verpackt in Kunststoff-Beutel zu 10 000 Teilen
PACKAGING IN PLASTIC BAG: QTY 10 000 PIECES
- 2 ^(J) Verpackt in Kunststoff-Beutel zu 1 000 Teilen
PACKAGING IN PLASTIC BAG: QTY 1 000 PIECES
- 1 Für Isolationsø 1.2-2.1 mm

828904-3	4	M	SILICON SHORE A 50* lubriziert	hellblau
828904-2	3	M		
828904-1	2	M		
BESTELL-NR.	REV	WERKSTOFF	OBERFLÄCHE	
			FARBE	

CAD-ORIGINAL
ZEICHNUNG NICHT ÄNDERN

ZEICHNUNG GÜLTIG AB

DIMENSIONS: mm	DWN	H. Bouda	16 MAY 88	MATERIAL	-	FINISH	-
	CHK	W. PFEFFER	17 MAY 88	TE Connectivity			
TOLERANCES UNLESS OTHERWISE SPECIFIED:	APVD	-	-				
0 PLC ± -	PRODUCT SPEC	-	-	SIZE	A4	CAGE CODE	00779
1 PLC ± 0.3	APPLICATION SPEC	-	-	DRAWING NO	C-828904		RESTRICTED TO
2 PLC ± -	WEIGHT	-	-	CUSTOMER DRAWING			SCALE
3 PLC ± -							5:1
4 PLC ± -							SHEET
ANGLES ± -							1 OF 1
							REV
							M2

THIS DRAWING IS UNPUBLISHED. ALL RIGHTS RESERVED.

AMEYA360

Components Supply Platform

Authorized Distribution Brand :



Website :

Welcome to visit www.ameya360.com

Contact Us :

➤ Address :

401 Building No.5, JiuGe Business Center, Lane 2301, Yishan Rd
Minhang District, Shanghai , China

➤ Sales :

Direct +86 (21) 6401-6692

Email amall@ameya360.com

QQ 800077892

Skype [ameyasales1](#) [ameyasales2](#)

➤ Customer Service :

Email service@ameya360.com

➤ Partnership :

Tel +86 (21) 64016692-8333

Email mkt@ameya360.com