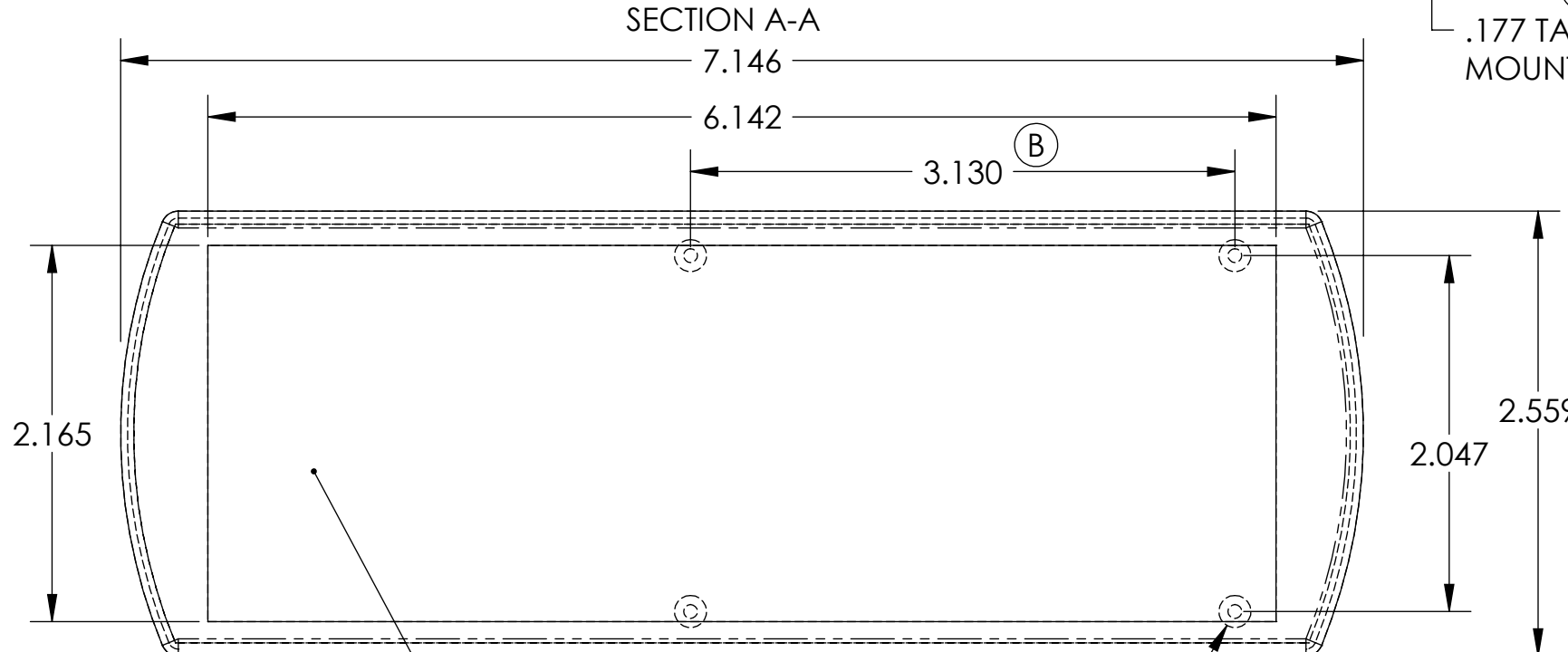
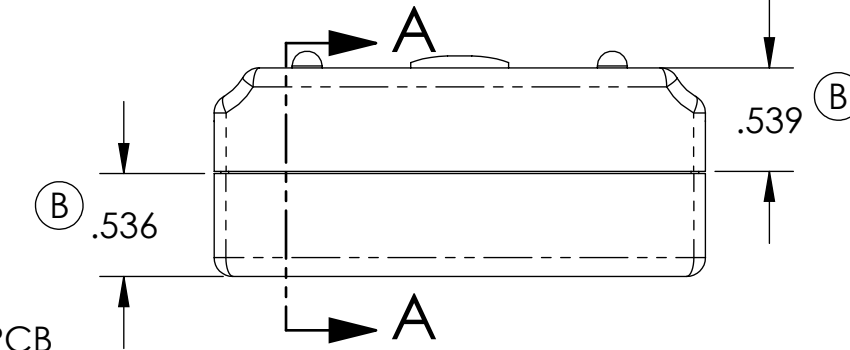
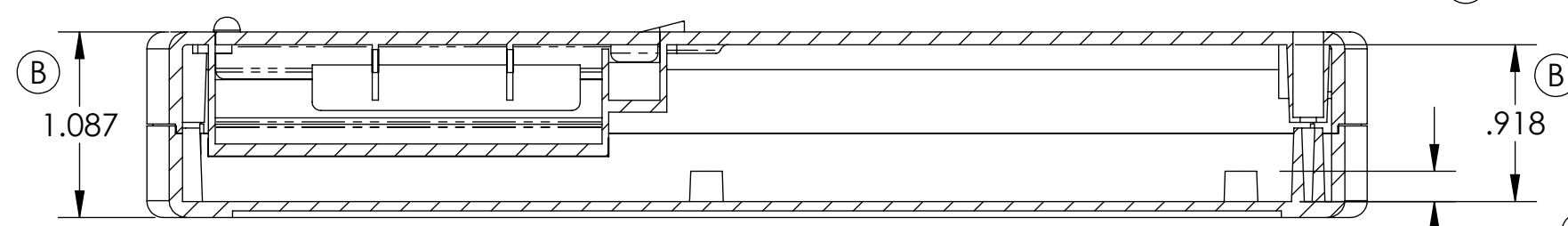
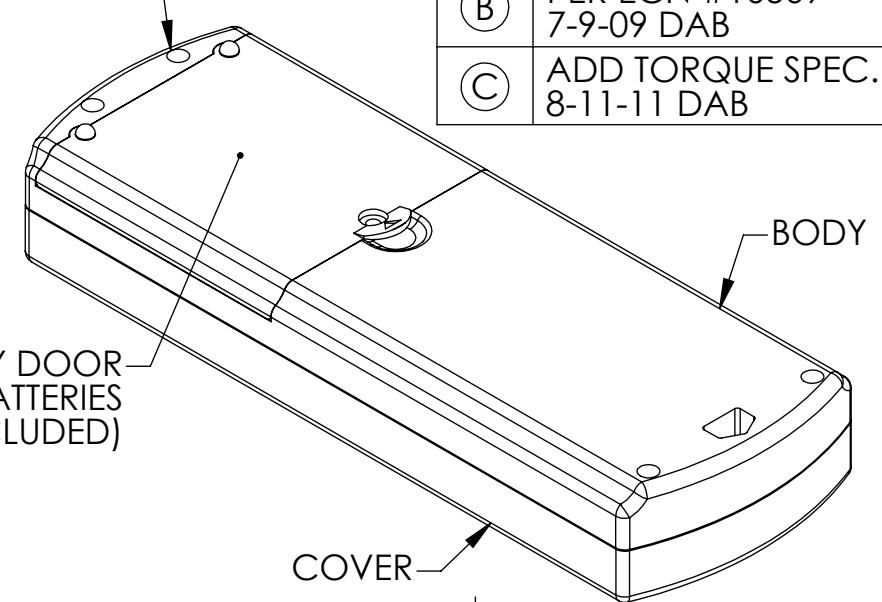
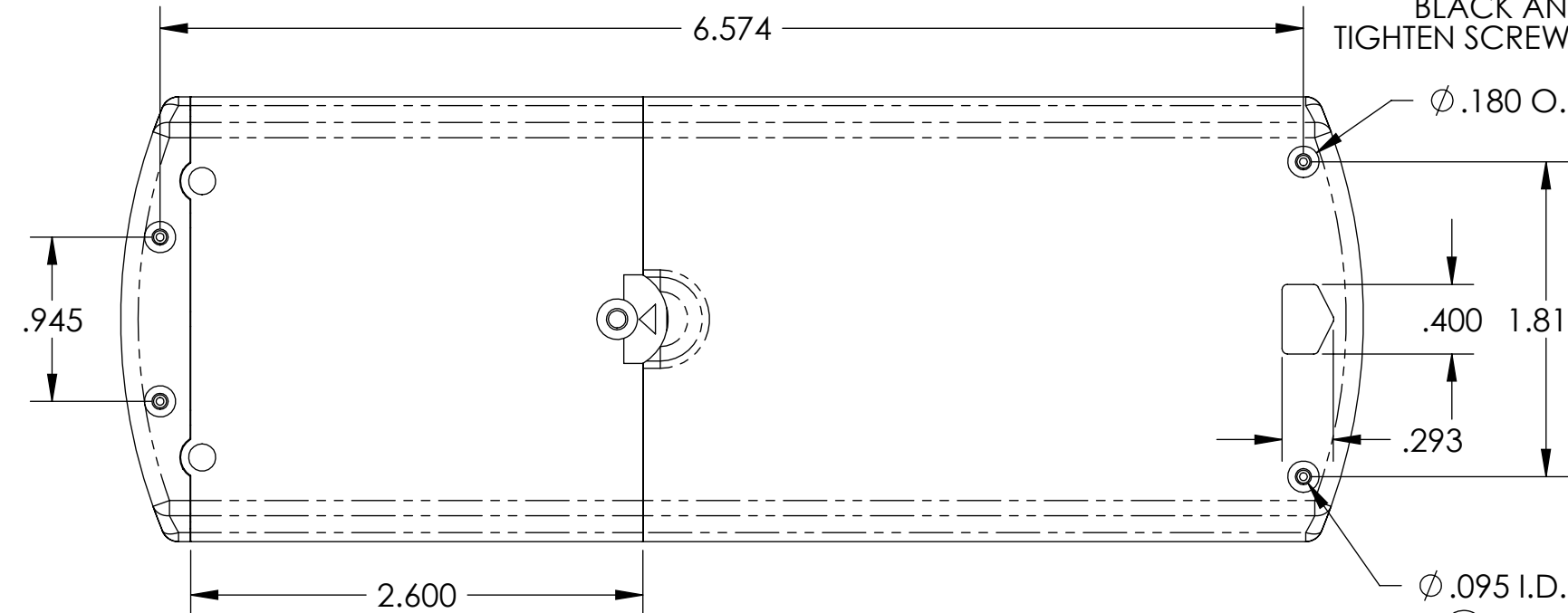


THE INFORMATION CONTAINED IN THIS DRAWING IS THE SOLE PROPERTY OF BUD INDUSTRIES INC. ANY REPRODUCTION IN PART OR WHOLE WITHOUT THE WRITTEN PERMISSION OF BUD INDUSTRIES INC. IS PROHIBITED.

DWG. NO.	HH-3570
ISSUE	REVISIONS
(A)	CHG'D MAT'L CALL-OUT 10-29-08 DAB
(B)	PER ECN #10509 7-9-09 DAB
(C)	ADD TORQUE SPEC. 8-11-11 DAB

SCREW, M2.3 x 10mm THREAD FORMING, ROUND HEAD, PHILLIPS RECESS, STEEL, BLACK ANODIZED (4 PL'S, NOT SHOWN) TIGHTEN SCREWS TO 1 IN./LBS. TORQUE MAX.



MATERIAL: ABS - UL94-HB (A)  
 FINISH: LIGHT TEXTURE  
 COLOR: BLACK (HH-3570-B) OR LIGHT GRAY (HH-3570-G)  
 PACKAGING: SHRINK WRAP WITH A SELF-ADHESIVE LABEL AFFIXED ON THE OUTSIDE.  
 MAXIMUM PC BOARD SIZE: 3.50 x 2.312 (WITH MAX. 0.62 COMPONENT HEIGHT)

(B) .039 DEEP SMOOTH RECESS  
 (B) .197 DIA BOSS WITH .079 DIA HOLE (4)

TOLERANCES: +/- .005 BETWEEN HOLE CENTERS +/- .015 FROM SHEARED EDGE +/- .032 FROM A BENT SURFACE +/- .062 BETWEEN ASSEMBLED SURFACES		CAD GENERATED DRAWING, DO NOT MANUALLY UPDATE	
UNLESS OTHERWISE SPECIFIED MATERIAL		APPROVALS	DATE
AS NOTED		DP	6/10/05
FINISH		CHECKED	
AS NOTED		APPROVED	
DO NOT SCALE DRAWING			

BUD INDUSTRIES INC.	
GRABBER STYLE J	

QTY.	USED ON	DO NOT SCALE DRAWING	SCALE	DWG. NO. HH-3570	REV.
			CAD FILE:	SHEET	OF 1

## Authorized Distribution Brand :



## Website :

Welcome to visit [www.ameya360.com](http://www.ameya360.com)

## Contact Us :

### ➤ Address :

401 Building No.5, JiuGe Business Center, Lane 2301, Yishan Rd  
Minhang District, Shanghai , China

### ➤ Sales :

Direct +86 (21) 6401-6692

Email [amall@ameya360.com](mailto:amall@ameya360.com)

QQ 800077892

Skype ameyasales1 ameyasales2

### ➤ Customer Service :

Email [service@ameya360.com](mailto:service@ameya360.com)

### ➤ Partnership :

Tel +86 (21) 64016692-8333

Email [mkt@ameya360.com](mailto:mkt@ameya360.com)