

6	33	31.05	29	52808-3029	30
	32	30.05	28	-2929	29
	31	29.05	27	-2829	28
	30	28.05	26	-2729	27
	29	27.05	25	-2629	26
	28	26.05	24	-2529	25
	27	25.05	23	-2429	24
	26	24.05	22	-2329	23
	25	23.05	21	-2229	22
	24	22.05	20	-2129	21
	23	21.05	19	-2029	20
	22	20.05	18	-1929	19
	21	19.05	17	-1829	18
	20	18.05	16	-1729	17
	19	17.05	15	-1629	16
	18	16.05	14	-1529	15
	17	15.05	13	-1429	14
	16	14.05	12	-1329	13
	15	13.05	11	-1229	12
	14	12.05	10	-1129	11
	13	11.05	9	-1029	10
	12	10.05	8	-0929	9
11	9.05	7	-0829	8	
10	8.05	6	-0729	7	
9	7.05	5	-0629	6	
8	6.05	4	-0529	5	
7	5.05	3	52808-0429	4	
G	C	B	A	MATERIAL NO.	極数 CIRCUIT

注記 NOTES:  
 1. 使用材料 MATERIAL  
 ハウジング: PPS, UL94V-0 HOUSING :PPS, UL94V-0  
 ターミナル: リン青銅 TERMINAL :PHOSPHOR BRONZE  
 メッキ: ニッケル下地 鍍ビスマスマッキ PLATING :TIN-BISMUTH OVER NICKEL PLATING  
 テープ: ポリイミド (t=50µm) TAPE :PI (t=50µm)

△基準面 E からソルダーテールの半田付け面のスレ量は、  
 上方向に0.1MAX. 下方向0.15MAX. とする。  
 MISALIGNMENT OF SOLDER TAIL FROM E  
 : UPPER DIRECTION 0.1MAX. , LOWER DIRECTION 0.15 MAX.

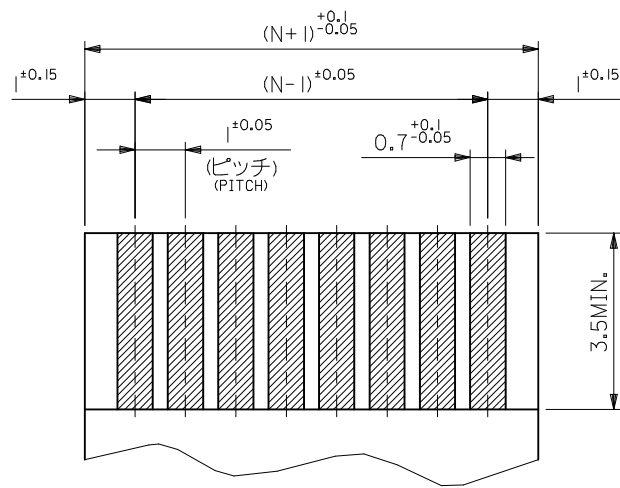
△偶数極に適用。  
 APPLY FOR EVEN CKT.

4. 本製品は 52808-\*\*20 の鉛フリー品である。  
 THIS PRODUCT IS LEAD FREE OF 52808-\*\*20.

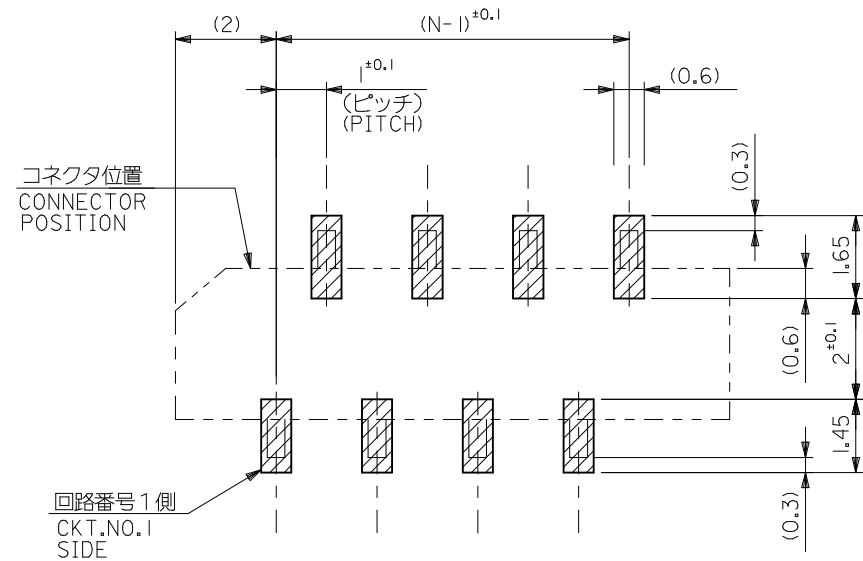
FPCについて:  
 打抜き方向は導体側から補強板を推奨致します。  
 補強フィルム材質はポリイミドを推奨致します。  
 接着剤は熱硬化接着剤を推奨致します。

ABOUT FPC:  
 RECOMMENDED PUNCHER DIRECTION : FROM CONDUCTOR SIDE TO STIFFENER BOARD SIDE.  
 RECOMMENDED MATERIAL :  
 STIFFENER FILM : POLYIMIDE  
 BONDING AGENT : THERMOSETTING BONDING AGENT

REVISED EC NO: J2015-0830 DRWN:NASANUMA 2014/12/19 CHKD:KAKAHASHI 2015/02/06 APPR:YNOGAWA 2015/02/23	GENERAL TOLERANCES (UNLESS SPECIFIED)		DIMENSION STYLE		SCALE	DESIGN UNITS	THIRD ANGLE PROJECTION
	0.25 UNDER UNDER ±0.03		MM ONLY		10:1	METRIC	◎
	0.25 OVER 0.5 UNDER ±0.05		DRAWN BY DATE		TITLE		
	0.5 OVER 1.0 UNDER ±0.1		MNNOMIYA 2004/02/09		1.0 FFC CONN. NON ZIF SMT ST (WITH TAPE) -LEAD FREE-		
	1.0 OVER 10 UNDER ±0.2		CHECKED BY DATE		molex		
10 OVER 30 UNDER ±0.25		KTOJO 2004/02/09		APPROVED BY DATE		DOCUMENT NO.	SHEET NO.
30 OVER ±0.3		MSASAO 2004/02/09		MATERIAL NO.		SD-52808-025	1 OF 2
ANGULAR ±3 °		SEE CHART		THIS DRAWING CONTAINS INFORMATION THAT IS PROPRIETARY TO MOLEX INCORPORATED AND SHOULD NOT BE USED WITHOUT WRITTEN PERMISSION			
DRAFT WHERE APPLICABLE MUST REMAIN WITHIN DIMENSIONS		SIZE A3					



(仕上がり厚さ0.3<sup>+0.03</sup>)  
THICKNESS  
適合FPC/FFC推奨寸法  
APPLICABLE FPC/FFC  
RECOMMENDED DIMENSION.

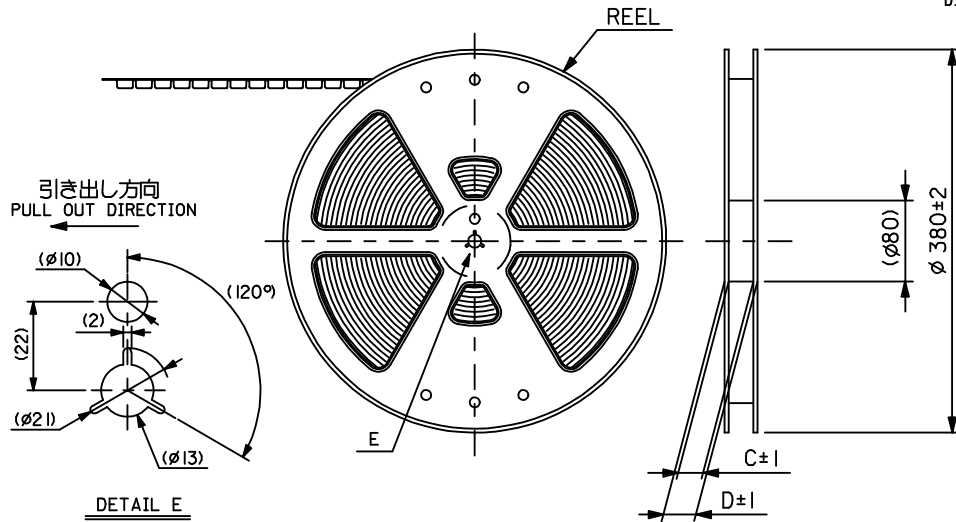


参考基板レイアウト (マウント面)  
RECOMMENDED P.C.BOARD  
PATTERN DIMENSION. (REF.)  
(MOUNTING AREA)

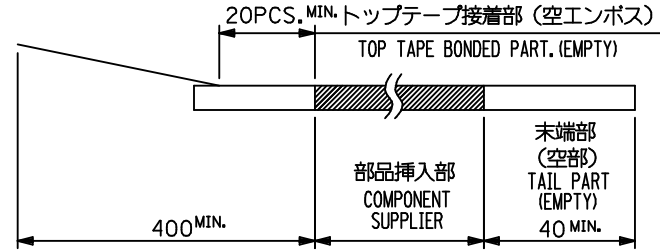
SEE SHEET 1 OF 2 EC NO: J2015-0830 DRWN: SANUMA 2014/12/19 CHKD: TAKAHASHI 2015/02/06 APPR: YNOGAWA 2015/02/23	GENERAL TOLERANCES (UNLESS SPECIFIED)			DIMENSION STYLE MM ONLY		SCALE 10:1	DESIGN UNITS METRIC	THIRD ANGLE PROJECTION
	0.25 UNDER	UNDER	±0.03	DRAWN BY	DATE	TITLE		
	0.25 OVER	0.5 UNDER	±0.05	MNINOMIYA	2004/02/09	1.0 FFC CONN. NON ZIF SMT ST (WITH TAPE) -LEAD FREE-		
	0.5 OVER	1.0 UNDER	±0.1	CHECKED BY	DATE	<b>molex</b>		
	1.0 OVER	10 UNDER	±0.2	KTOJO	2004/02/09			
10 OVER	30 UNDER	±0.25	APPROVED BY	DATE	MATERIAL NO.	DOCUMENT NO.	SHEET NO.	
30 OVER		±0.3	MSASAO	2004/02/09	SEE SHEET 1 OF 2	SD-52808-025	2 OF 2	
ANGULAR ±3 °				SIZE A3		THIS DRAWING CONTAINS INFORMATION THAT IS PROPRIETARY TO MOLEX INCORPORATED AND SHOULD NOT BE USED WITHOUT WRITTEN PERMISSION		
DRAFT WHERE APPLICABLE MUST REMAIN WITHIN DIMENSIONS								

NOTES

- 製品詳細寸法については図面 SD-52808-025 を参照下さい。  
RE DETAILED DIMENSION, SEE SD-52808-025.
- 梱包数量：1000個/リール  
NUMBER OF CONNECTORS : 1000PCS/REEL
- リードテープ長さ LEAD TAPE LENGTH

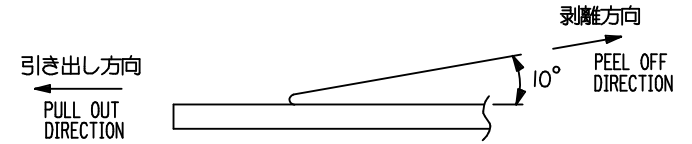


引き出し方向  
PULL OUT DIRECTION



- トップテープの剥離強度：0.1N ~ 1.3N(10gf ~ 130gf)  
(剥離方向は下図参照)

尚、本規格値は出荷時に適用。(但し、輸送時に剥離が発生しないこと。)  
PEELING OFF FORCE OF TOP TAPE : 0.1N ~ 1.3N(10gf ~ 130gf)  
(PEELING DIRECTION AS SHOWN IN FOLLOWING FIG.)  
THIS REQUIREMENT SHOULD BE APPLIED AT SHIPMENT.  
PEEL OFF SHOULD NOT BE ALLOWED , DURING TRANSPORTATION.



- 材料(MATERIAL)  
キャリアテープ(CARRIER TAPE)：ポリプロピレン(POLYPROPYLENE)  
トップテープ(TOPTAPE)：PET , PE , PEF  
リール(REEL)：ポリスチレン (PS) <リサイクル材を含む>  
POLYSTYRENE(PS) <RECYCLE MATERIAL CONTAINED>

- MXI 製造製品は紙リールを使用すること。  
ONLY MXI PRODUCT ITEM SHOULD USE CARD BOARD REEL.

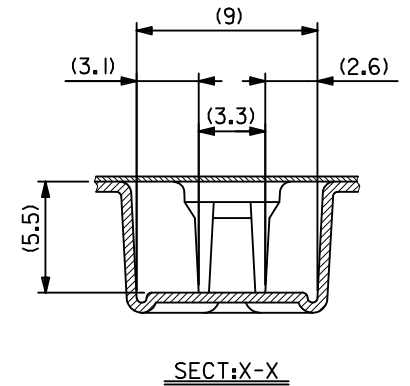
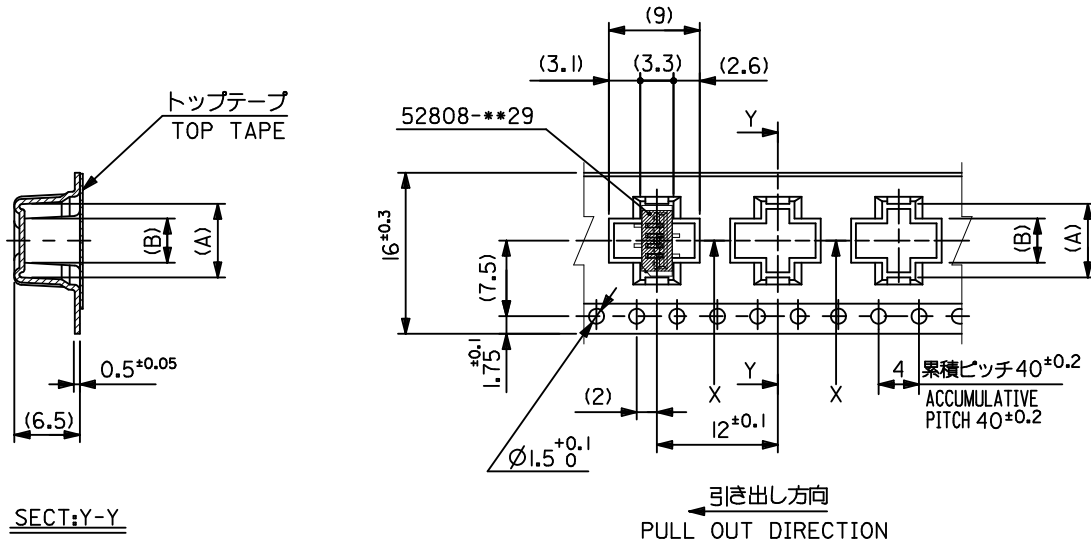
- 本製品は 52808-\*\*\*9I の鉛フリー品である。  
THIS PRODUCT IS LEAD FREE OF 52808-\*\*\*9I.

MODEL NO.		52808-***71	
GENERAL TOLERANCES (UNLESS SPECIFIED)		DIMENSION STYLE	
0.25 UNDER UNDER ±0.03		MM ONLY	
0.25 OVER 0.5 UNDER ±0.05		SCALE	
0.5 OVER 1.0 UNDER ±0.1		---	
1.0 OVER 10 UNDER ±---		DESIGN UNITS	
10 OVER 30 UNDER ±---		METRIC	
30 OVER ±---		THIRD ANGLE PROJECTION	
ANGULAR ±--- °		DRAWN BY DATE TITLE	
DRAFT WHERE APPLICABLE MUST REMAIN WITHIN DIMENSIONS		MNINOMIYA 2004/02/09	
		CHECKED BY DATE	
		KTOJO 2004/02/09	
		APPROVED BY DATE	
		MATERIAL NO. DOCUMENT NO.	
		SEE CHART SD-52808-026	
		SHEET NO.	
		1 OF 6	

1.0 FFC CONN NON ZIF SMT  
ST WITH TAPE EMBSTP PKG  
-LEAD FREE-



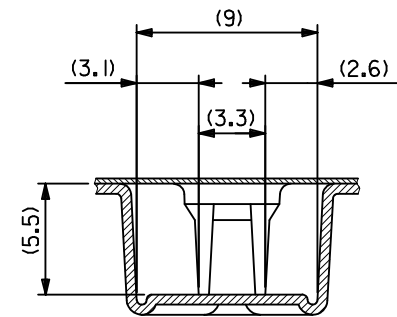
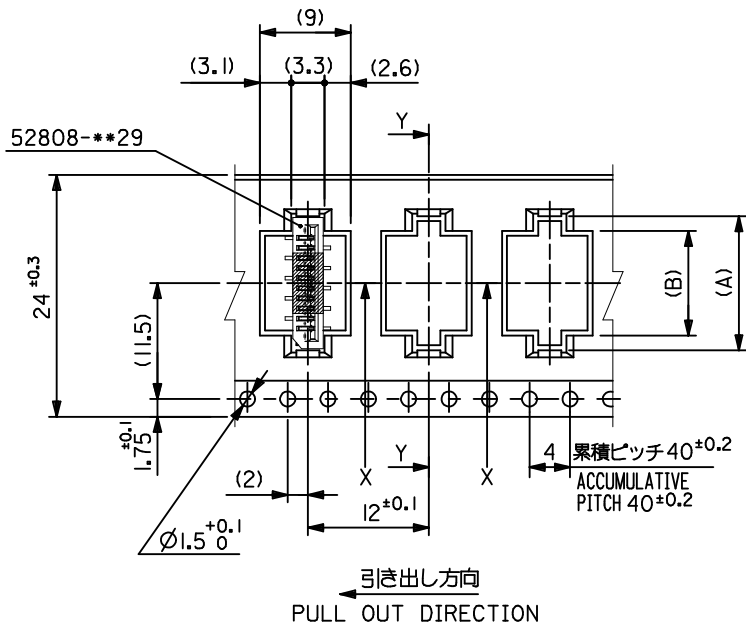
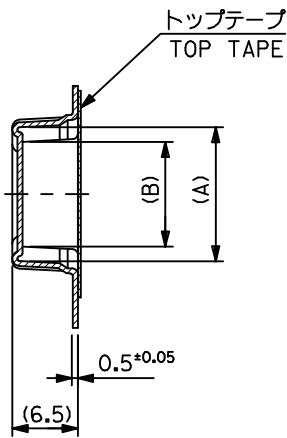
THIS DRAWING CONTAINS INFORMATION THAT IS PROPRIETARY TO MOLEX  
INCORPORATED AND SHOULD NOT BE USED WITHOUT WRITTEN PERMISSION



16mm幅キャリアテープ  
16mm WIDTH CARRIER TAPE

16	21.4	17.4	5.4	8.3	52808-0571	5
			4.4	7.3	52808-0471	4
キャリアテープ幅 CARRIER TAPE WIDTH	D	C	(B)	(A)	MATERIAL NO.	種数 CKT.
MODEL NO.					52808-**-71	

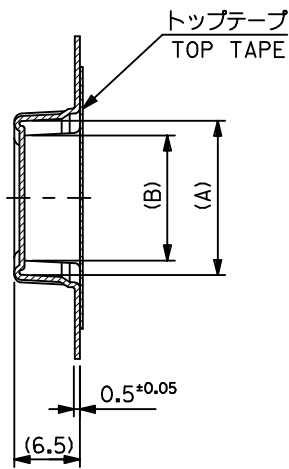
SEE SHEET 1 OF 6 EC NO.: J2015-0830 DRWN: SANUMA 2014/12/18 CHKD: TAKAHASHI 2015/02/06 APPR: YNOGAWA 2015/02/23	GENERAL TOLERANCES (UNLESS SPECIFIED)			DIMENSION STYLE MM ONLY		SCALE ---	DESIGN UNITS METRIC	THIRD ANGLE PROJECTION	
	0.25 UNDER	UNDER	±0.03	DRAWN BY	DATE	TITLE			
	0.25 OVER	0.5 UNDER	±0.05	MNINOMIYA	2004/02/09	1.0 FFC CONN NON ZIF SMT ST WITH TAPE EMBSTP PKG -LEAD FREE-			
	0.5 OVER	1.0 UNDER	±0.1	CHECKED BY	DATE	<b>molex</b>			
	1.0 OVER	10 UNDER	±---	KTOJO	2004/02/09				
10 OVER	30 UNDER	±---	APPROVED BY	DATE	MATERIAL NO.	DOCUMENT NO.	SHEET NO.		
30 OVER		±---	SEE CHART		SD-52808-026		2 OF 6		
ANGULAR	±---	°	THIS DRAWING CONTAINS INFORMATION THAT IS PROPRIETARY TO MOLEX INCORPORATED AND SHOULD NOT BE USED WITHOUT WRITTEN PERMISSION						
DRAFT WHERE APPLICABLE MUST REMAIN WITHIN DIMENSIONS									



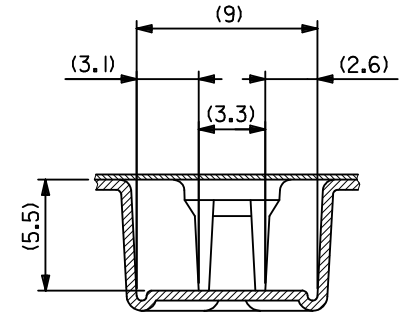
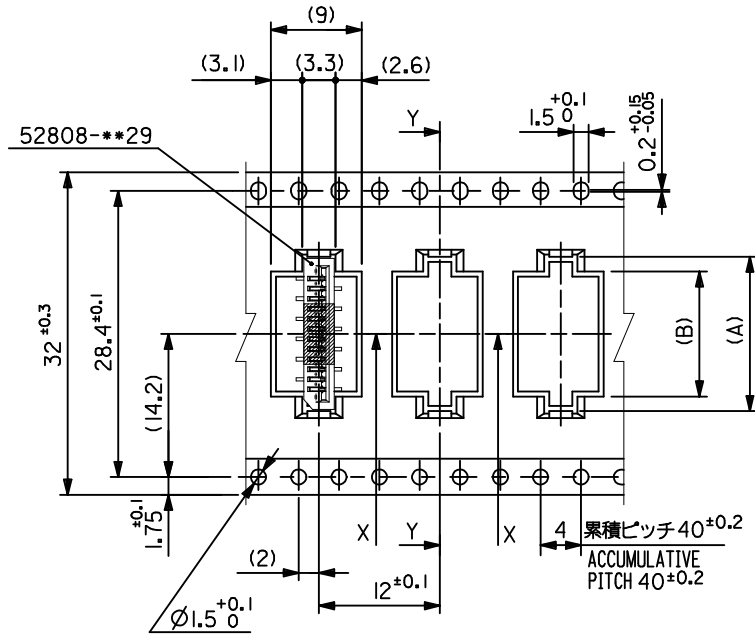
24mm幅キャリアテープ  
24mm WIDTH CARRIER TAPE

24	29.4	25.4	10.4	13.3	52808-1071	10
			9.4	12.3	52808-0971	9
			8.4	11.3	52808-0871	8
			7.4	10.3	52808-0771	7
			6.4	9.3	52808-0671	6
キャリアテープ幅 CARRIER TAPE WIDTH	D	C	(B)	(A)	MATERIAL NO.	種数 CKT.
MODEL NO.			52808-**-71			

SEE SHEET 1 OF 6 EC NO: J2015-0830 DRWN:NASANUMA 2014/12/18 CHKD:KATAHASHI 2015/02/06 APPR:YNOGAWA 2015/02/23	GENERAL TOLERANCES (UNLESS SPECIFIED)			DIMENSION STYLE MM ONLY		SCALE ---	DESIGN UNITS METRIC	THIRD ANGLE PROJECTION	
	0.25 UNDER	UNDER	± 0.03	DRAWN BY	DATE	TITLE			
	0.25 OVER	0.5 UNDER	± 0.05	MNINOMIYA	2004/02/09	1.0 FFC CONN NON ZIF SMT ST WITH TAPE EMBSTP PKG -LEAD FREE-			
	0.5 OVER	1.0 UNDER	± 0.1	CHECKED BY	DATE	<b>molex</b>			
	1.0 OVER	10 UNDER	± ---	KTOJO	2004/02/09				
	10 OVER	30 UNDER	± ---	APPROVED BY	DATE	MATERIAL NO.	DOCUMENT NO.	SHEET NO.	
30 OVER		± ---			SEE CHART	SD-52808-026	3 OF 6		
ANGULAR	± --- °		THIS DRAWING CONTAINS INFORMATION THAT IS PROPRIETARY TO MOLEX INCORPORATED AND SHOULD NOT BE USED WITHOUT WRITTEN PERMISSION						
DRAFT WHERE APPLICABLE MUST REMAIN WITHIN DIMENSIONS									



セクト:Y-Y

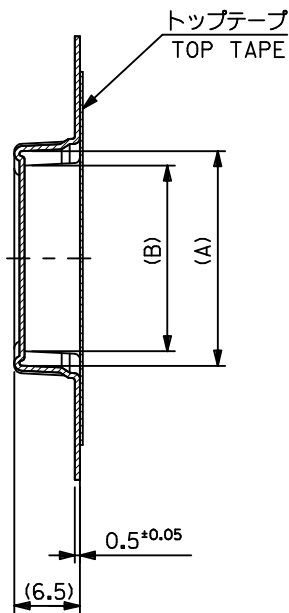


セクト:X-X

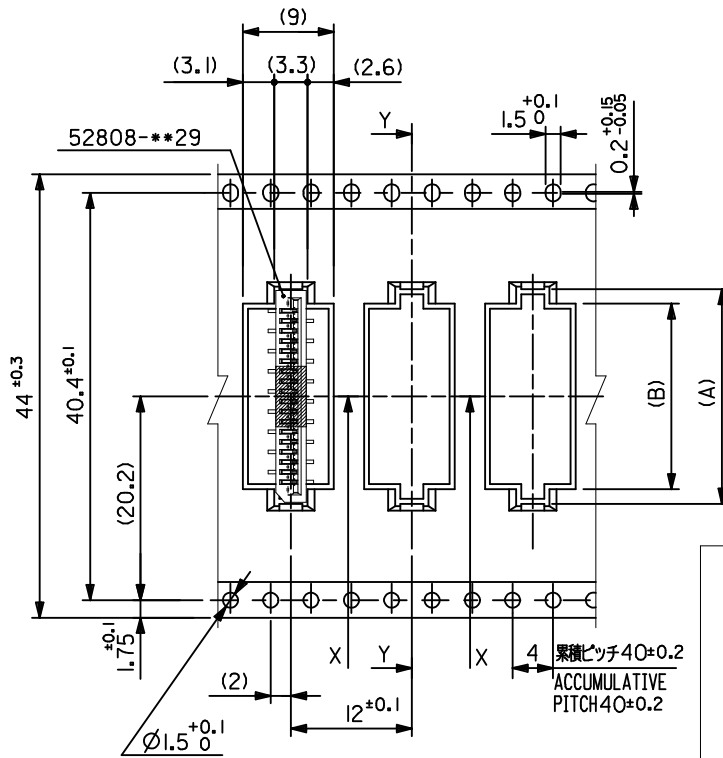
32mm幅キャリアテープ  
32mm WIDTH CARRIER TAPE

32	37.4	33.4	15.4	18.3	52808-1571	15
			14.4	17.3	52808-1471	14
			13.4	16.3	52808-1371	13
			12.4	15.3	52808-1271	12
			11.4	14.3	52808-1171	11
キャリアテープ幅 CARRIER TAPE WIDTH	D	C	(B)	(A)	MATERIAL NO.	種数 CKT.
MODEL NO.			52808-**-71			

SEE SHEET 1 OF 6 EC NO: J2015-0830 DRWN: SANUMA 2014/12/18 CHKD: TAKAHASHI 2015/02/06 APPR: YNOGAWA 2015/02/23	GENERAL TOLERANCES (UNLESS SPECIFIED)			DIMENSION STYLE MM ONLY		SCALE ---	DESIGN UNITS METRIC	THIRD ANGLE PROJECTION	
	0.25 UNDER	UNDER	±0.03	DRAWN BY	DATE	TITLE			
	0.25 OVER	0.5 UNDER	±0.05	MNINOMIYA	2004/02/09	1.0 FFC CONN NON ZIF SMT ST WITH TAPE EMBSTP PKG -LEAD FREE-			
	0.5 OVER	1.0 UNDER	±0.1	CHECKED BY	DATE				
	1.0 OVER	10 UNDER	±---	KTOJO	2004/02/09	<b>molex</b> DOCUMENT NO. SD-52808-026 SHEET NO. 4 OF 6			
	10 OVER	30 UNDER	±---	APPROVED BY	DATE				
30 OVER		±---	MATERIAL NO.		SEE CHART				
ANGULAR	±---	°	SIZE A3		THIS DRAWING CONTAINS INFORMATION THAT IS PROPRIETARY TO MOLEX INCORPORATED AND SHOULD NOT BE USED WITHOUT WRITTEN PERMISSION				
DRAFT WHERE APPLICABLE MUST REMAIN WITHIN DIMENSIONS									

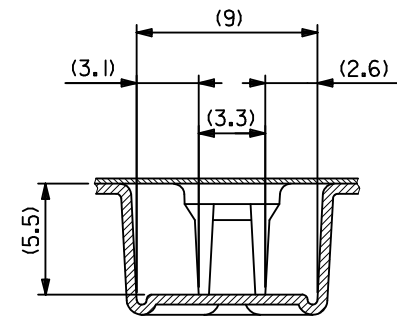


SECT:Y-Y



引き出し方向  
PULL OUT DIRECTION

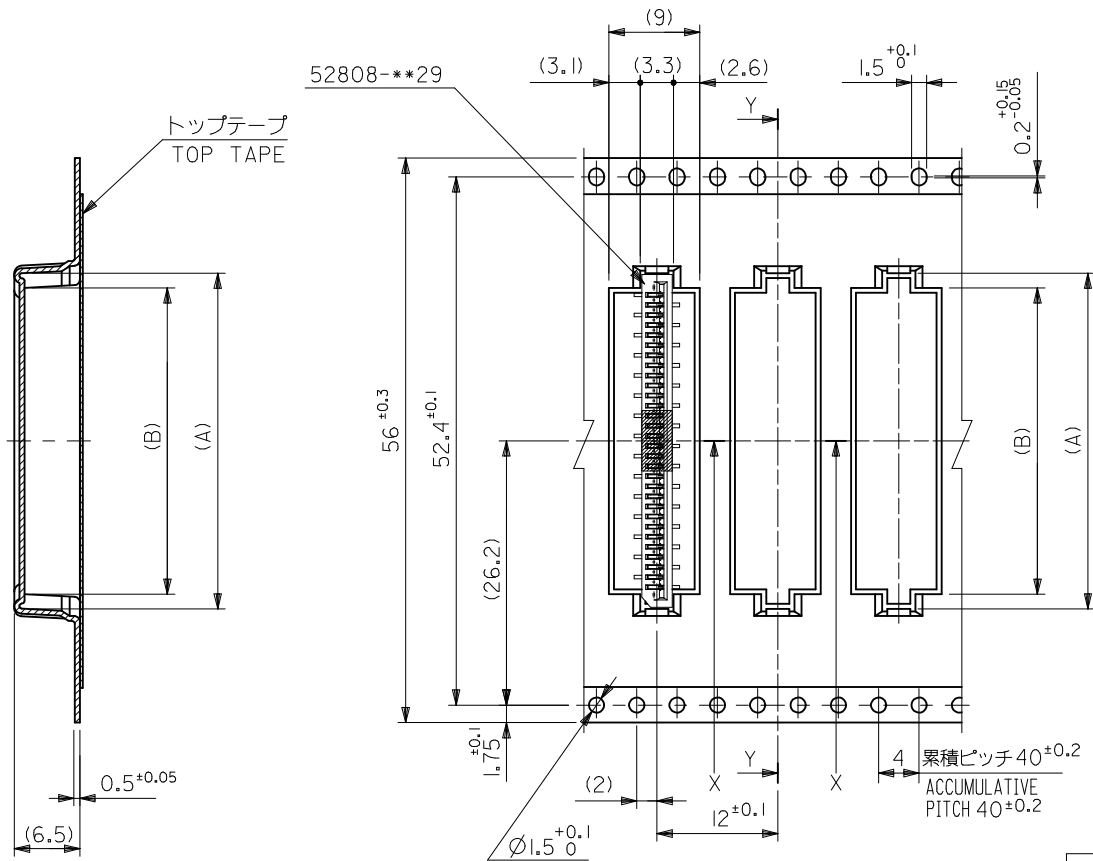
44mm幅キャリアテープ  
44mm WIDTH CARRIER TAPE



SECT:X-X

44	49.4	45.4	28.4	31.3	52808-2871	28	
			27.4	30.3	52808-2771	27	
			26.4	29.3	52808-2671	26	
			25.4	28.3	52808-2571	25	
			24.4	27.3	52808-2471	24	
			23.4	26.3	52808-2371	23	
			22.4	25.3	52808-2271	22	
			21.4	24.3	52808-2171	21	
			20.4	23.3	52808-2071	20	
			19.4	22.3	52808-1971	19	
			18.4	21.3	52808-1871	18	
			17.4	20.3	52808-1771	17	
16.4	19.3	52808-1671	16				
キャリアテープ幅 CARRIER TAPE WIDTH			D	C	(B) (A)	MATERIAL NO.	種数 CKT.
MODEL NO.			52808-***71				

SEE SHEET 1 OF 6 EC NO.: J2015-0830 DRWN:NASUNUMA 2014/12/18 CHKD:KAKAHASHI 2015/02/06 APPR:YNOGAWA 2015/02/23	GENERAL TOLERANCES (UNLESS SPECIFIED)			DIMENSION STYLE MM ONLY		SCALE ---	DESIGN UNITS METRIC	THIRD ANGLE PROJECTION	
	0.25 UNDER	UNDER	±0.03	DRAWN BY	DATE	TITLE			
	0.25 OVER	0.5 UNDER	±0.05	MNINOMIYA	2004/02/09	1.0 FFC CONN NON ZIF SMT ST WITH TAPE EMBSTP PKG -LEAD FREE-			
	0.5 OVER	1.0 UNDER	±0.1	CHECKED BY	DATE	molex			
	1.0 OVER	10 UNDER	±---	KTOJO	2004/02/09				
10 OVER	30 UNDER	±---	APPROVED BY	DATE	MATERIAL NO.	DOCUMENT NO.	SHEET NO.		
30 OVER		±---			SEE CHART	SD-52808-026	5 OF 6		
ANGULAR ±--- °			DRAFT WHERE APPLICABLE MUST REMAIN WITHIN DIMENSIONS		SIZE A3	THIS DRAWING CONTAINS INFORMATION THAT IS PROPRIETARY TO MOLEX INCORPORATED AND SHOULD NOT BE USED WITHOUT WRITTEN PERMISSION			



SECT:Y-Y

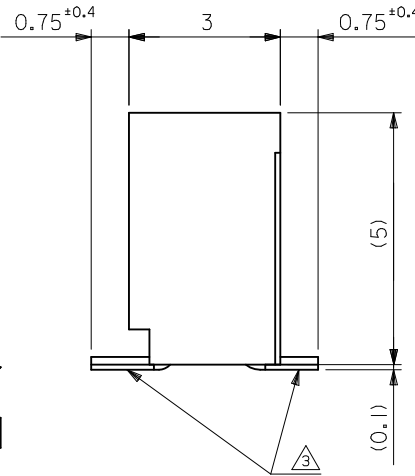
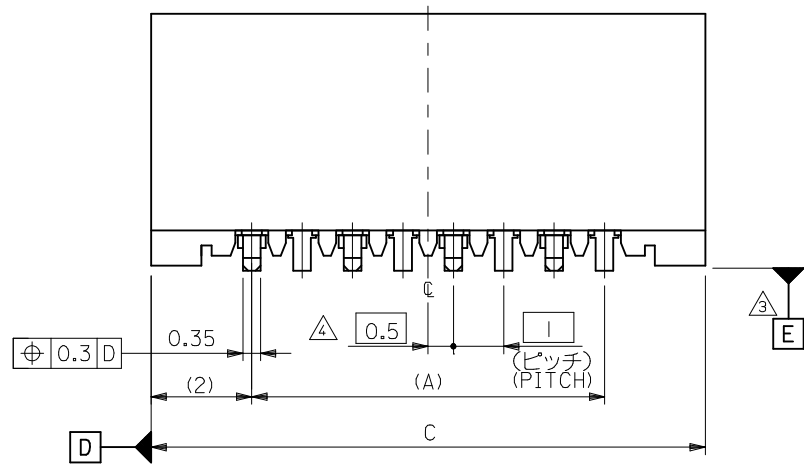
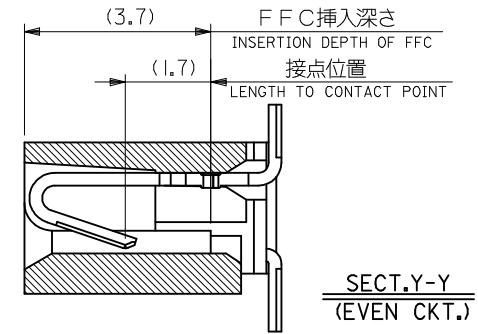
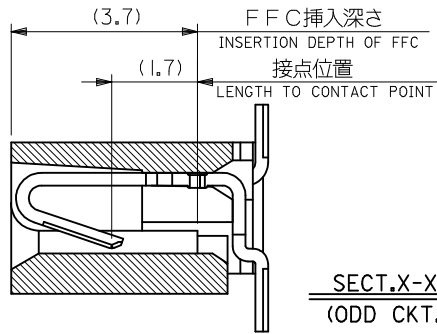
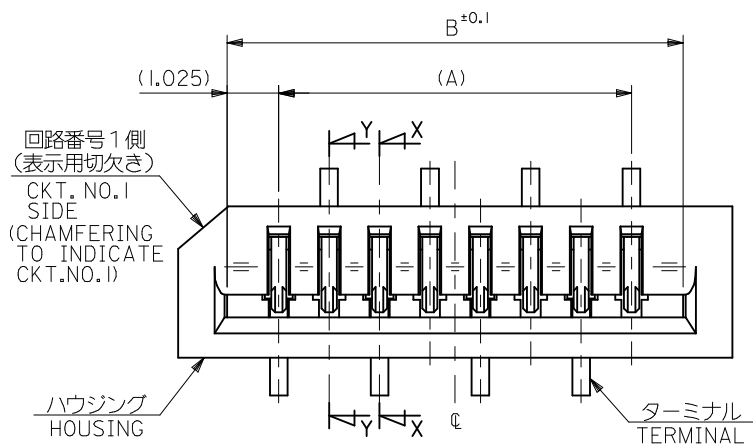
引き出し方向  
PULL OUT DIRECTION

56mm幅キャリアテープ  
56mm WIDTH CARRIER TAPE

56	61.4	57.4	30.4	33.3	52808-3071	30
キャリアテープ幅 CARRIER TAPE WIDTH	D	C	(B)	(A)	52808-2971	29
MODEL NO.					52808-**71	
					MATERIAL NO.	極数 CKT.

SEE SHEET 1 OF 6 EC NO: J2015-0830 DRWN:NASUNUMA 2014/12/18 CHKD:KAKAHASHI 2015/02/06 APPR:YNOGAWA 2015/02/23	GENERAL TOLERANCES (UNLESS SPECIFIED)			DIMENSION STYLE MM ONLY		SCALE ---	DESIGN UNITS METRIC	THIRD ANGLE PROJECTION
	0.25 UNDER	UNDER	±0.03	DRAWN BY	DATE	TITLE		
	0.25 OVER	0.5 UNDER	±0.05	MNINOMIYA	2004/02/09	1.0 FFC CONN NON ZIF SMT ST WITH TAPE EMBSTP PKG -LEAD FREE-		
	0.5 OVER	1.0 UNDER	±0.1	CHECKED BY	DATE	molex		
	1.0 OVER	10 UNDER	±---	KTOJO	2004/02/09			
10 OVER	30 UNDER	±---	APPROVED BY	DATE	MATERIAL NO.	DOCUMENT NO.	SHEET NO.	
30 OVER		±---	SEE CHART		SD-52808-026	6 OF 6		
ANGULAR	±---	°	THIS DRAWING CONTAINS INFORMATION THAT IS PROPRIETARY TO MOLEX INCORPORATED AND SHOULD NOT BE USED WITHOUT WRITTEN PERMISSION					
REV	DRAFT WHERE APPLICABLE MUST REMAIN WITHIN DIMENSIONS							

10 9 8 7 6 5 4 3 2 1



33	31.05	29	52808-3072	30
25	23.05	21	52808-2272	22
23	21.05	19	52808-2072	20
18	16.05	14	52808-1572	15
17	15.05	13	52808-1472	14
15	13.05	11	52808-1272	12
14	12.05	10	52808-1172	11
13	11.05	9	52808-1072	10
12	10.05	8	52808-0972	9
11	9.05	7	52808-0872	8
9	7.05	5	52808-0672	6
8	6.05	4	52808-0572	5
7	5.05	3	52808-0472	4
C	B	A	EMBOSSED PACKAGE オーダー番号: ORDER NO.	極数 CIRCUITS

CONNECTOR SERIES NO. : 52808-\*\*11

REVISED EC NO: J2015-0560 DRWN:MTAKAHASHI 04/2014/11/04 CHKD:KAKAHASHI 2014/11/04 APPR:YNOGAWA 2014/12/25	GENERAL TOLERANCES (UNLESS SPECIFIED)			DIMENSION STYLE MM ONLY		SCALE ---	DESIGN UNITS METRIC	THIRD ANGLE PROJECTION
	0.25 UNDER	UNDER	±0.03	DRAWN BY M. NABEI	DATE '05/08/19	TITLE 1.0 FFC CONN. NON ZIF SMT. ST.		
	0.25 OVER	0.5 UNDER	±0.05	CHECKED BY K. TOYODA	DATE '05/08/19			
	0.5 OVER	1.0 UNDER	±0.1	APPROVED BY N. UKITA	DATE '05/08/19			
	1.0 OVER	30 UNDER	±0.2	MATERIAL NO.	DOCUMENT NO. SD-52808-029	SHEET NO. 1 OF 3		
10 OVER	30 UNDER	±0.25	SEE CHART					
30 OVER		±0.3	DRAFT WHERE APPLICABLE MUST REMAIN WITHIN DIMENSIONS		THIS DRAWING CONTAINS INFORMATION THAT IS PROPRIETARY TO MOLEX INCORPORATED AND SHOULD NOT BE USED WITHOUT WRITTEN PERMISSION			

9 8 7 6 5 4 3 2 1

# AMEYA360

Components Supply Platform

Authorized Distribution Brand :



Website :

Welcome to visit [www.ameya360.com](http://www.ameya360.com)

Contact Us :

➤ Address :

401 Building No.5, JiuGe Business Center, Lane 2301, Yishan Rd  
Minhang District, Shanghai , China

➤ Sales :

Direct +86 (21) 6401-6692

Email [amall@ameya360.com](mailto:amall@ameya360.com)

QQ 800077892

Skype [ameyasales1](#) [ameyasales2](#)

➤ Customer Service :

Email [service@ameya360.com](mailto:service@ameya360.com)

➤ Partnership :

Tel +86 (21) 64016692-8333

Email [mkt@ameya360.com](mailto:mkt@ameya360.com)