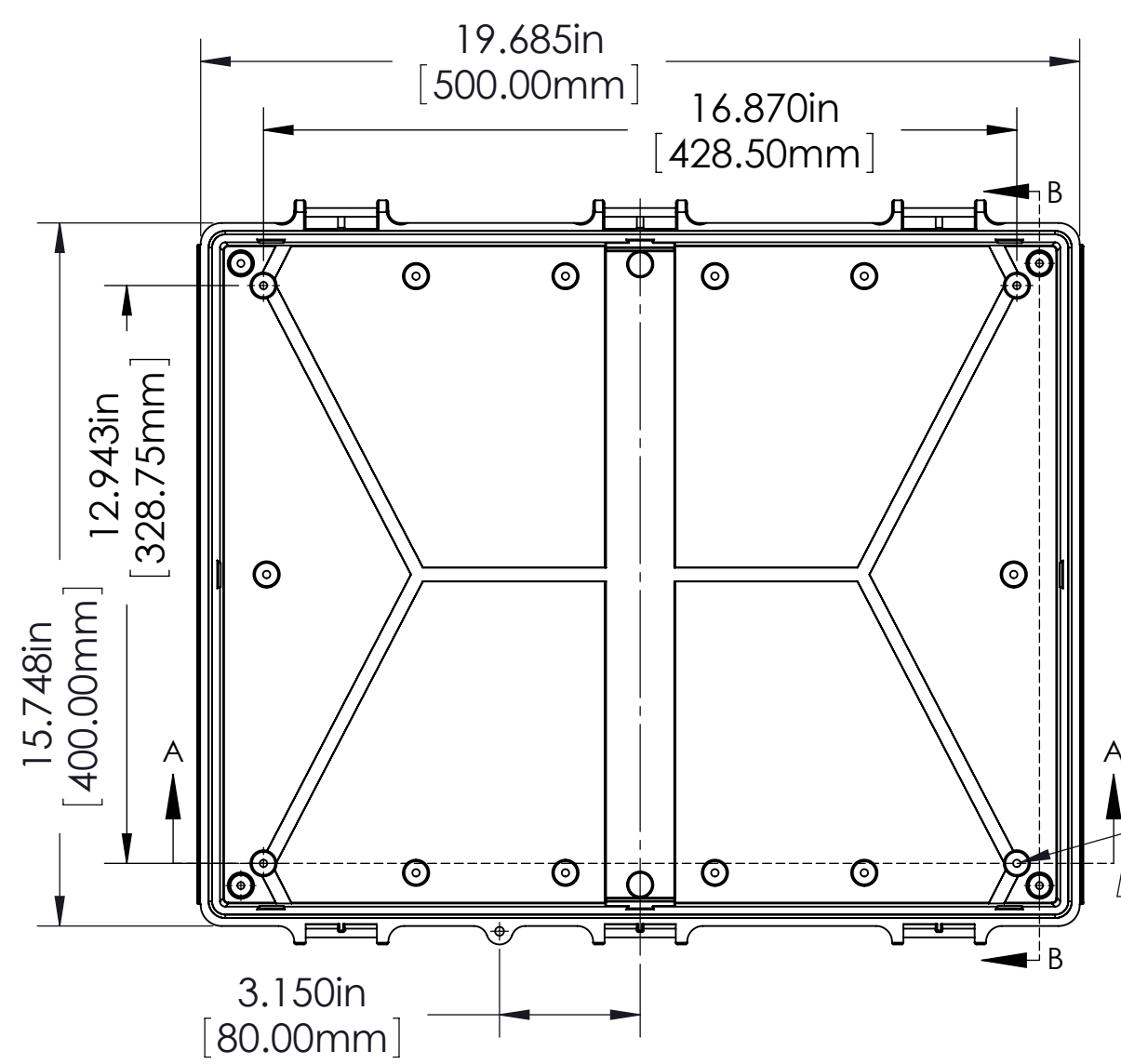


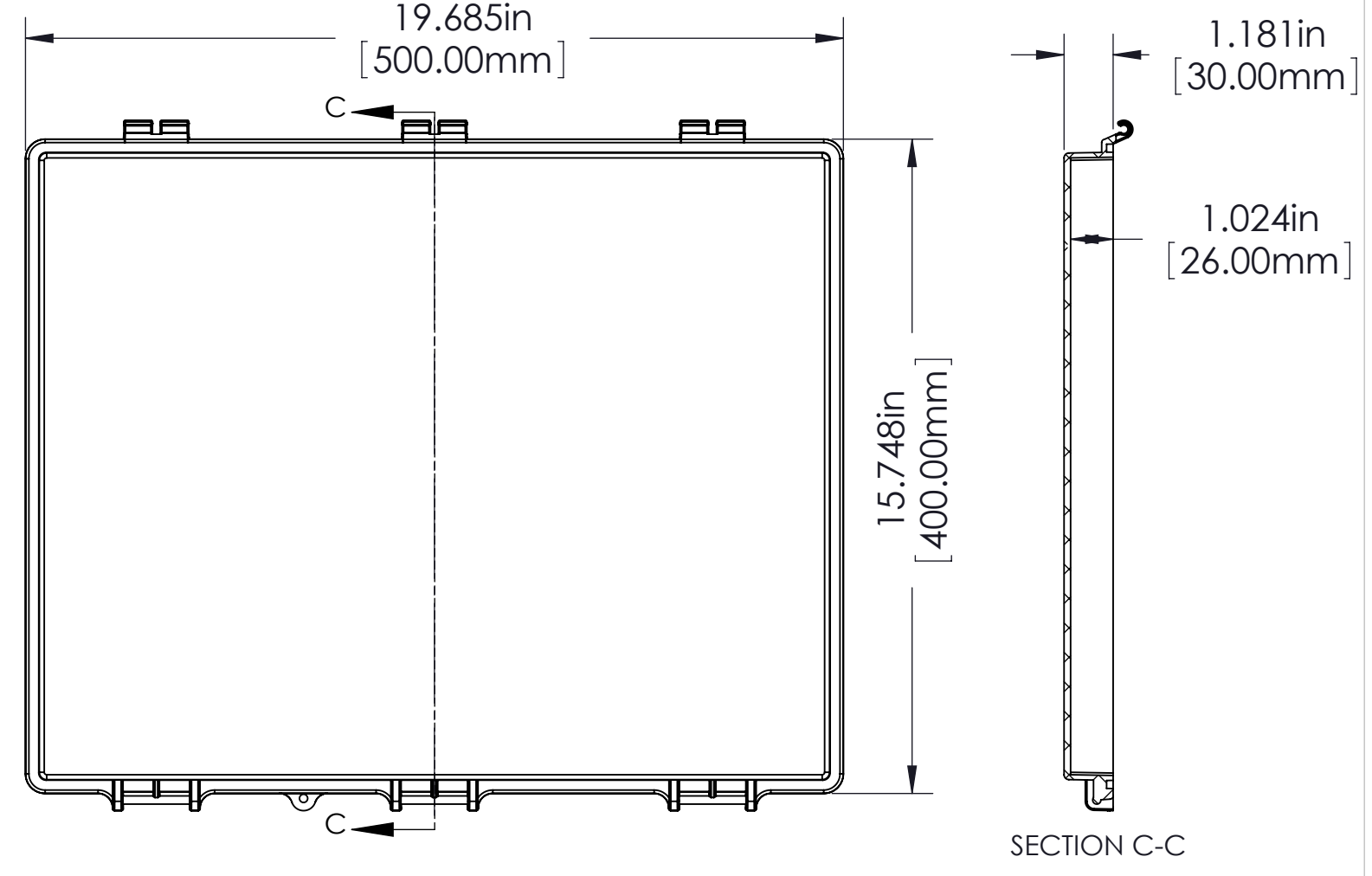
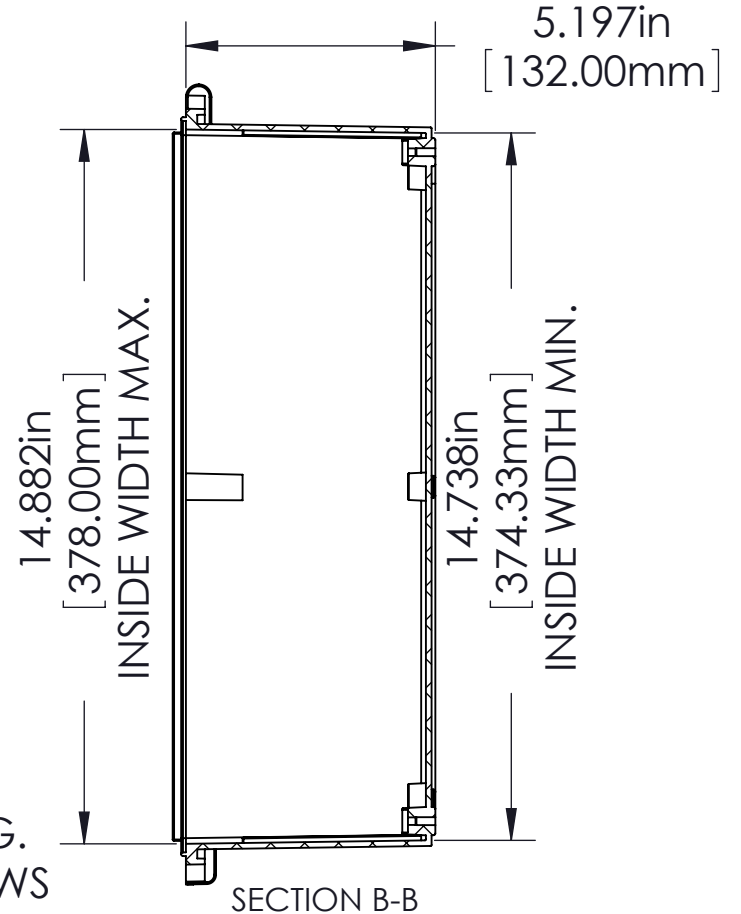
MATERIAL	FLAMMABILITY RATING	CONTINUOUS OPERATING TEMP.
ABS	UL94-HB	-40°C ~ +60°C / -40°F ~ 140°F
CLEAR PC	UL94-V0 UV STABILIZED	-40°C ~ +130°C / -40°F ~ 266°F
ABS / PC BLEND	UL94-5VA	-40°C ~ +85°C / -40°F ~ 185°F
PBT / PC BLEND	UL94-5VA + UV (f1)	-40°C ~ +75°C / -40°F ~ 167°F

FINISH:
 BODY _____ LIGHT GRAY
 COVER _____ LIGHT GRAY OR CLEAR
 LATCHES & HINGES _____ PLASTIC
 WALL MOUNTING BRACKETS _____ STAINLESS STEEL & HARDWARE

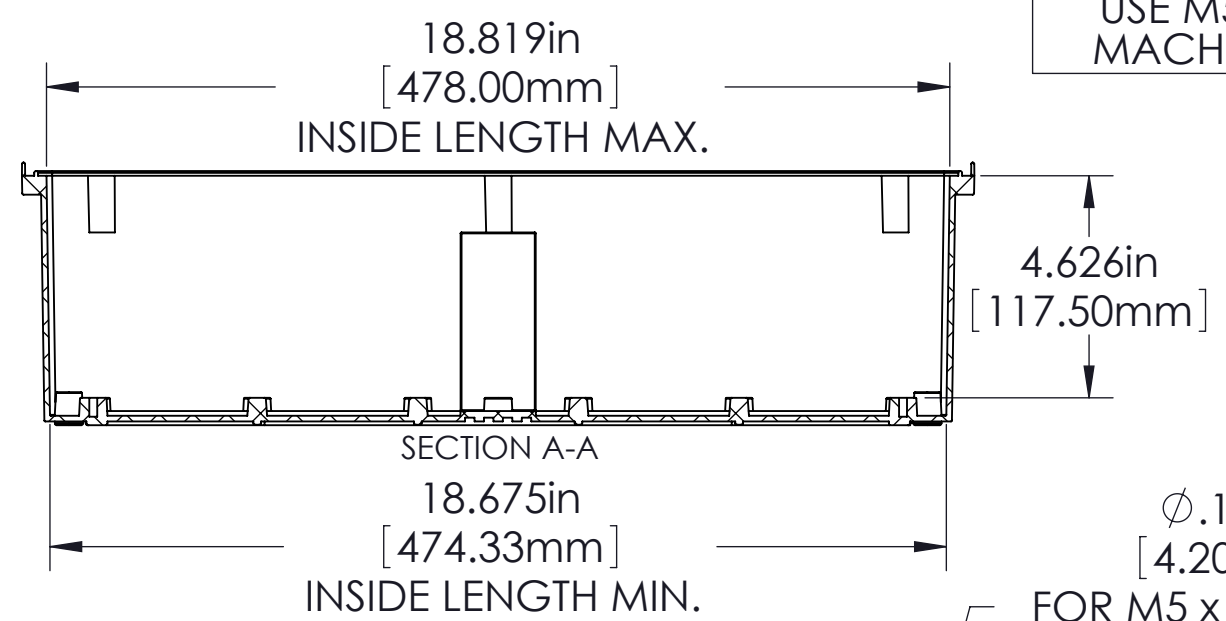
COVER



BODY

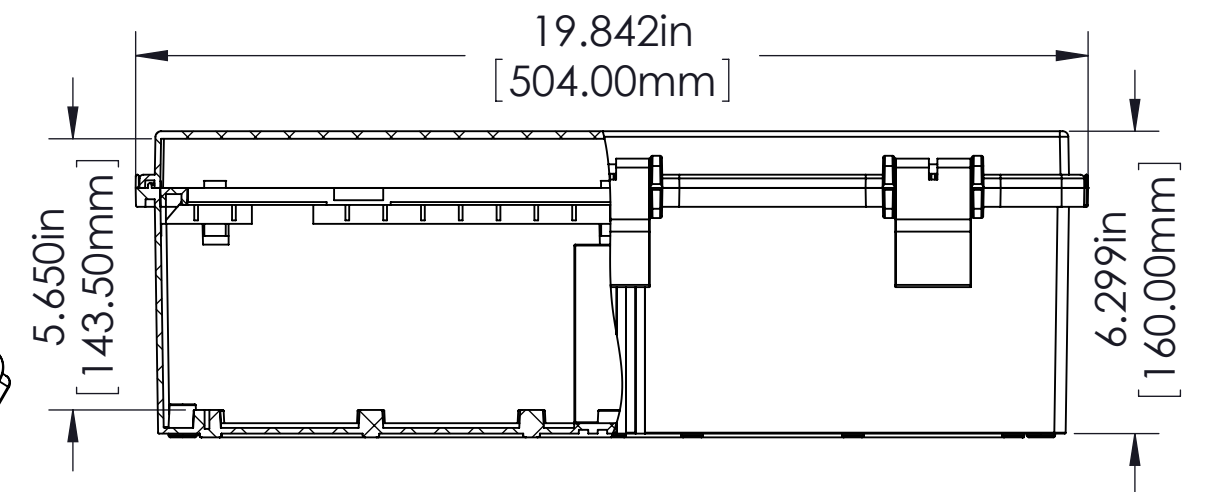
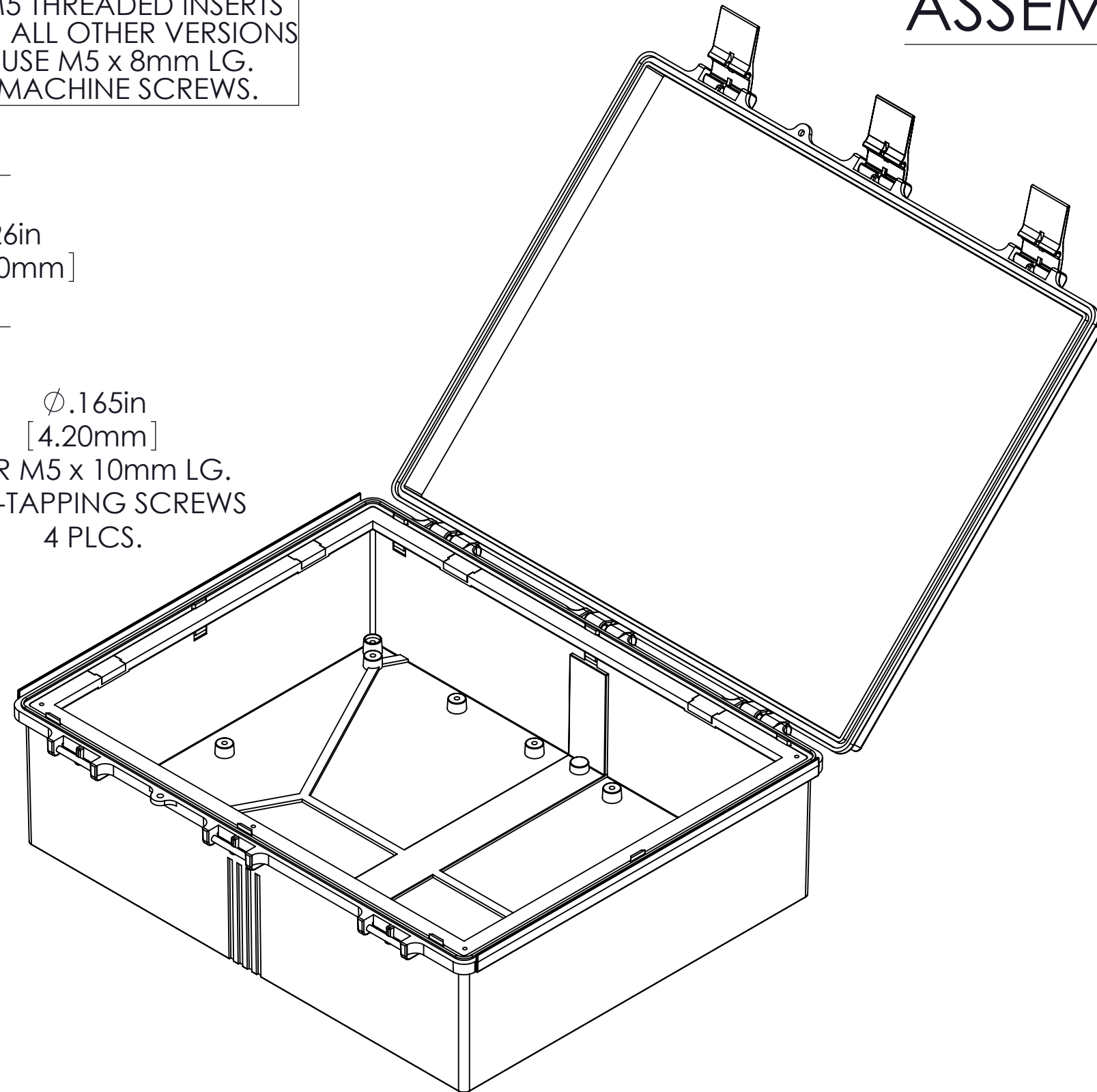
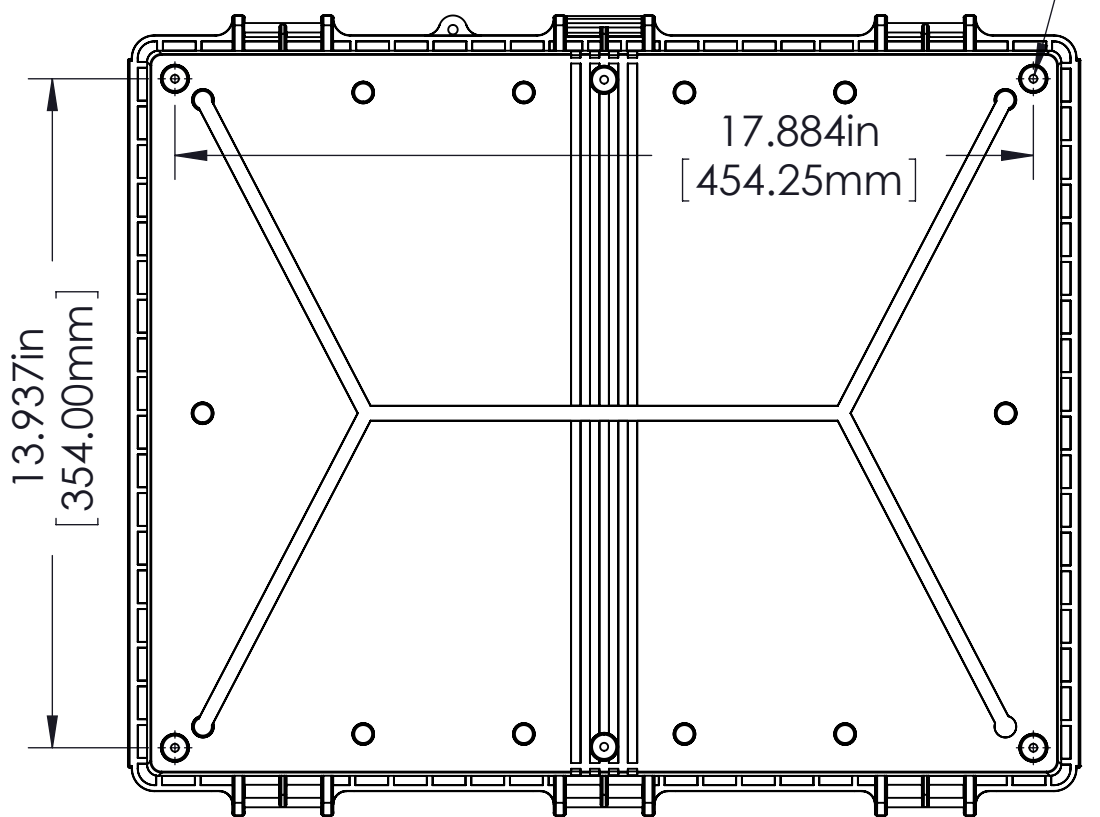


Ø.165in [4.20mm]
 FOR M5 x 10mm LG. SELF-TAPPING SCREWS (ABS VERSIONS ONLY)
 M5 THREADED INSERTS ON ALL OTHER VERSIONS USE M5 x 8mm LG. MACHINE SCREWS.



Ø.165in [4.20mm]
 FOR M5 x 10mm LG. SELF-TAPPING SCREWS 4 PLCS.

ASSEMBLY



NOTES:

- 1) UNIT COMES COMPLETE WITH (4) WALL MOUNTING BRACKETS & (4) M5 x 10mm LG. SELF-TAPPING SCREWS. (NOT SHOWN)
- 2) BOXES DESIGNED TO MEET FOLLOWING STANDARDS: NEMA 1,2,4,4X, AND IEC529-IP65 REQUIREMENTS.

TOLERANCE:

ALL DIMENSIONS HAVE ±0.039in [±1mm] TOLERANCE UNLESS OTHERWISE SPECIFIED.

PART NO.	MATERIAL		USE
	BODY	COVER	
NBF-32032	ABS	ABS	INDOOR
NBF-32132	ABS / PC	ABS / PC	INDOOR
NBF-32232	ABS / PC	CLEAR PC	INDOOR
NBF-32332	PBT / PC	PBT / PC	OUTDOOR
NBF-32432	PBT / PC	CLEAR PC	OUTDOOR

Authorized Distribution Brand :



Website :

Welcome to visit www.ameya360.com

Contact Us :

➤ Address :

401 Building No.5, JiuGe Business Center, Lane 2301, Yishan Rd
Minhang District, Shanghai , China

➤ Sales :

Direct +86 (21) 6401-6692

Email amall@ameya360.com

QQ 800077892

Skype ameyasales1 ameyasales2

➤ Customer Service :

Email service@ameya360.com

➤ Partnership :

Tel +86 (21) 64016692-8333

Email mkt@ameya360.com