

D

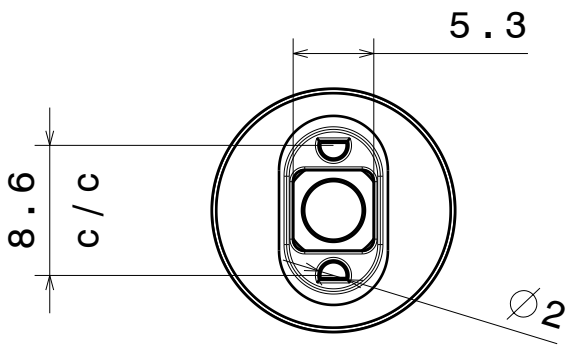
C

B

A

4

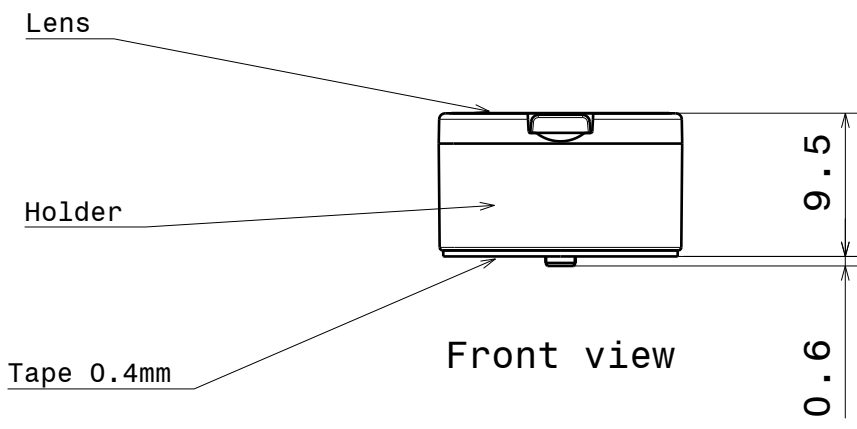
4



Bottom view

3

3

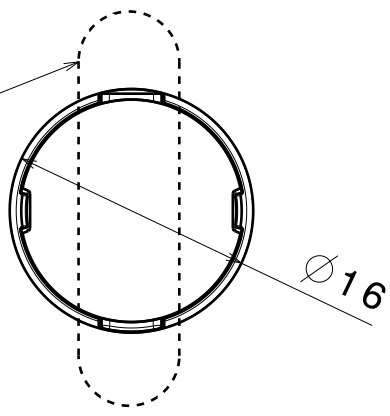


Front view

2

2

Oval beam direction (0-90 is turned 90 degree)



Top view

MATERIALS
 Lens: PMMA
 Holder: PC
 Tape: PU Foam

This drawing is our property.
 It can't be reproduced
 or communicated without
 our written agreement.



Ledil Oy
 Salorankatu 10
 FIN-24100 SALO
 Finland

DRAWING TITLE

DRAWN BY
ah

DATE
28.12.2011

Datasheet Tina2-OSL

CHECKED BY
sn

DATE
28.12.2011

SIZE
A4

DRAWING NUMBER

REV
1

DESIGNED BY
ol

DATE
xx

SCALE 3:1

WEIGHT (g) -

SHEET 1/1

D

A

1

1

AMEYA360

Components Supply Platform

Authorized Distribution Brand :



Website :

Welcome to visit www.ameya360.com

Contact Us :

➤ Address :

401 Building No.5, JiuGe Business Center, Lane 2301, Yishan Rd
Minhang District, Shanghai , China

➤ Sales :

Direct +86 (21) 6401-6692

Email amall@ameya360.com

QQ 800077892

Skype [ameyasales1](#) [ameyasales2](#)

➤ Customer Service :

Email service@ameya360.com

➤ Partnership :

Tel +86 (21) 64016692-8333

Email mkt@ameya360.com