

PART
NAME

TRANSPARENT BLUE NEMA ENCLOSURE

PART
No.

BT-2727

UL FILE #194432

MATERIAL:

POLYCARBONATE, TRANSPARENT BLUE

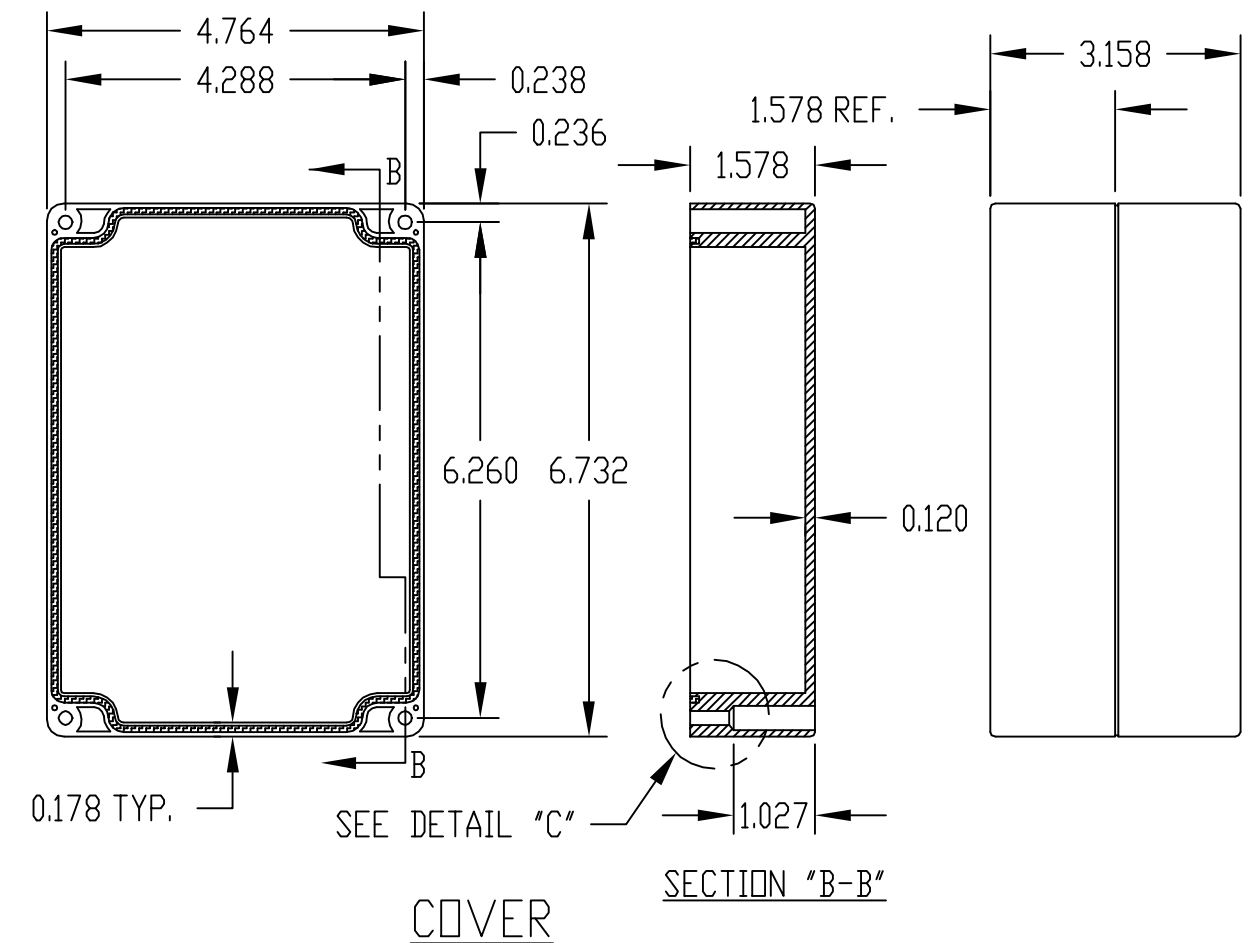
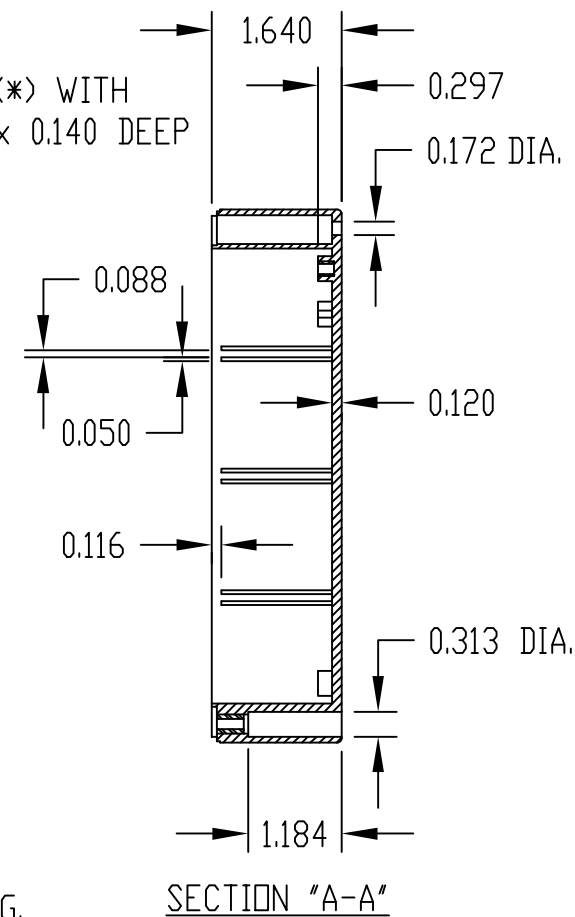
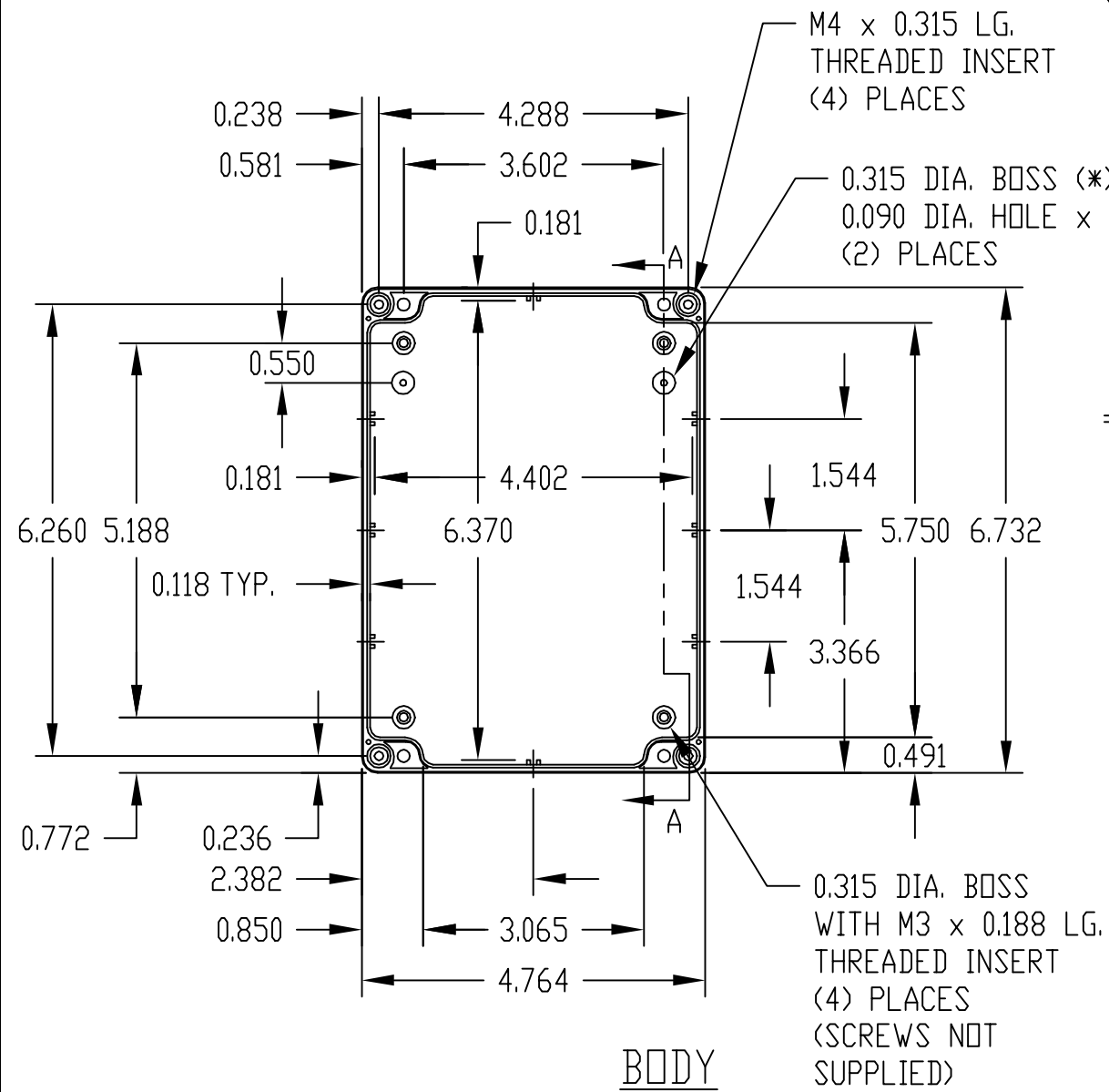
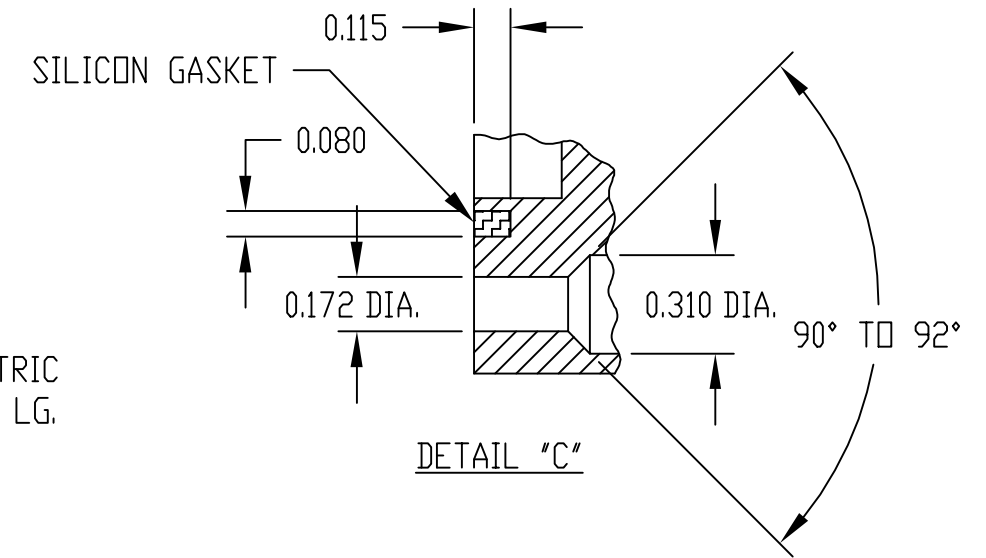
UL94V-2 FLAMMABILITY RATING

UV STABILIZED

SERVICE TEMPERATURE RANGE:

-40°C TO +120°C

(* MOUNTING BOSSES USE EITHER M2.5 METRIC
OR #4 STD. SHEET METAL SCREWS x 0.188" LG.
(NOT SUPPLIED)



NOTE: ALL DIMENSIONS HAVE ±0.015 TOLERANCE UNLESS OTHERWISE SPECIFIED.

HARDWARE KIT
KIT CONTAINS (4) M4 x 20mm (0.787") LG. SCREWS FOR ASSEMBLY

Authorized Distribution Brand :



Website :

Welcome to visit www.ameya360.com

Contact Us :

➤ Address :

401 Building No.5, JiuGe Business Center, Lane 2301, Yishan Rd
Minhang District, Shanghai , China

➤ Sales :

Direct +86 (21) 6401-6692

Email amall@ameya360.com

QQ 800077892

Skype ameyasales1 ameyasales2

➤ Customer Service :

Email service@ameya360.com

➤ Partnership :

Tel +86 (21) 64016692-8333

Email mkt@ameya360.com