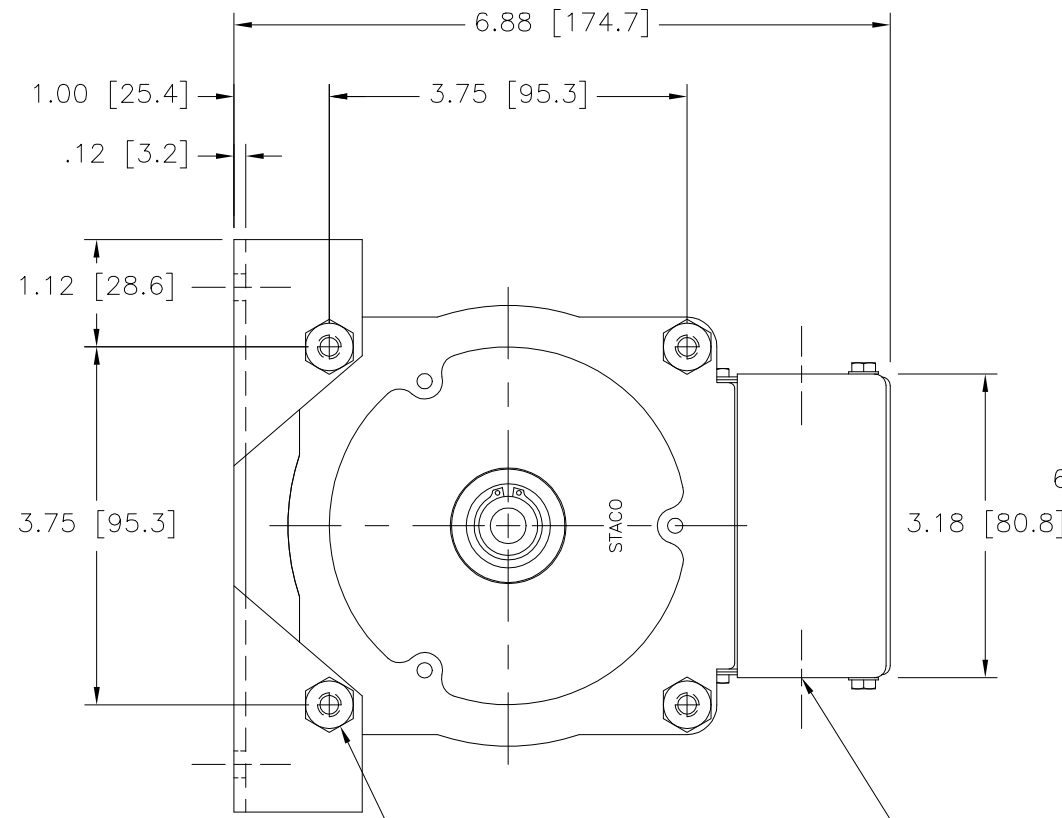
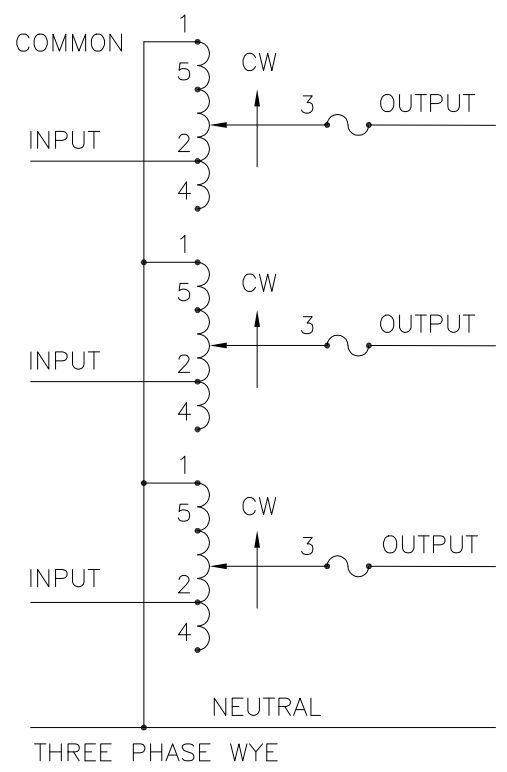
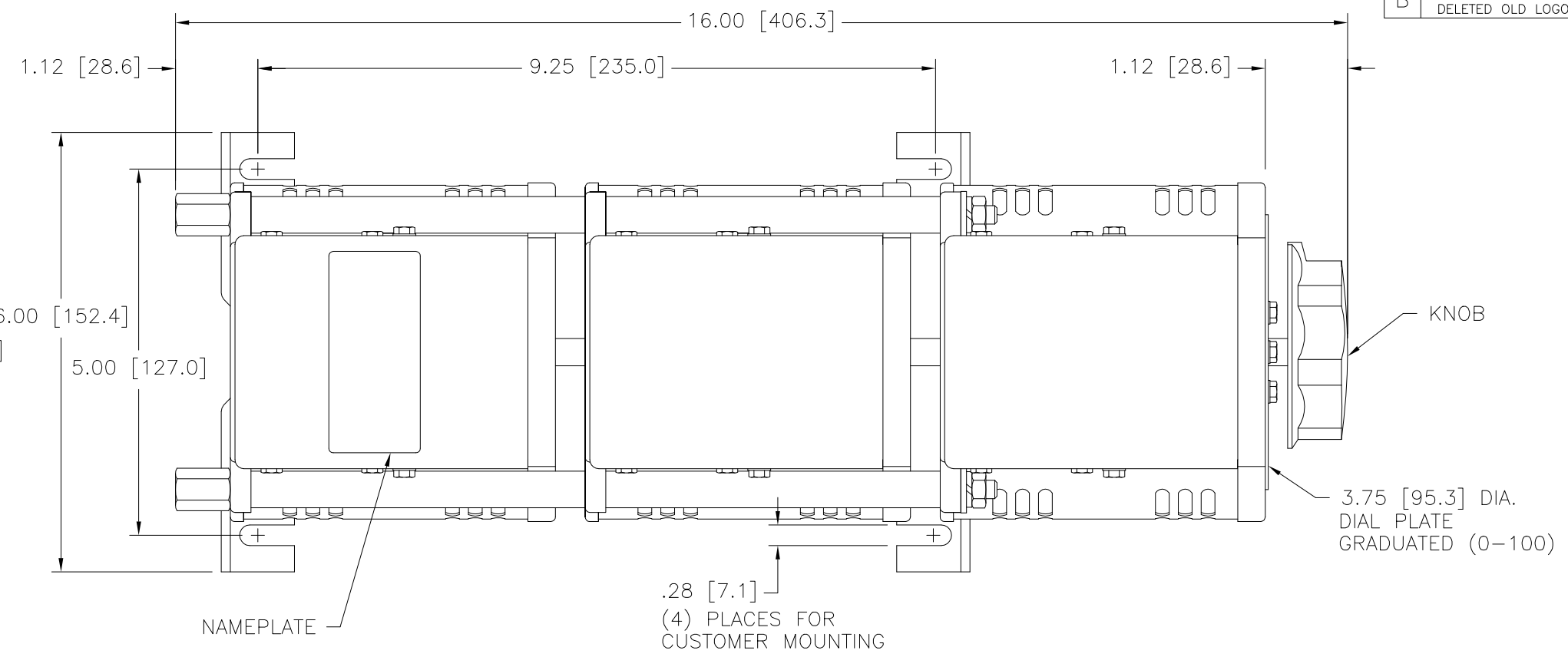


|                     |          |         |       |
|---------------------|----------|---------|-------|
| DWG. NO.            | 031-1676 |         |       |
| REVISIONS           |          |         |       |
| SYM.                | E.C.N.   | DATE    | APVD. |
| A                   | 24194    | 3/14/00 |       |
| DELETED BLIND HOLES |          |         |       |
| B                   | 25121    | 5/12/03 |       |
| DELETED OLD LOGO    |          |         |       |



(4) STANDOFFS TAPPED  
1/4-28 X .38 [9.5] DEEP  
FOR MOUNTING BOLTS

.88 [22.2] DIA. KNOCKOUT  
(7) PLACES FOR  
WIRING CONNECTIONS



SCHEMATIC  
FUSE RECOMMENDED BUT NOT SUPPLIED

⌘ IF GANGED UNITS ARE USED IN A SYSTEM THAT ORDINARILY HAS A COMMON NEUTRAL OR GROUND BETWEEN SOURCE AND LOAD, THE NEUTRAL OR GROUND MUST BE CONNECTED TO THE COMMON TERMINALS OF THE VARIABLE TRANSFORMER ASSEMBLY. IF THE SYSTEM HAS NO NEUTRAL, THE LOAD MUST BE BALANCED OR THE TRANSFORMER WILL BE DAMAGED.

■ JUMPER PROVIDED IN STANDARD COMMON POSITION AND SHOULD BE MOVED OR REMOVED AS REQUIRED.

++ LINE TO LINE VOLTAGE.

| SPECIFICATIONS    |       |       |        |                       |          |                         |                                    |  |       |        |        |
|-------------------|-------|-------|--------|-----------------------|----------|-------------------------|------------------------------------|--|-------|--------|--------|
| WIRING            | INPUT |       | OUTPUT |                       |          |                         | SHAFT ROTATION TO INCREASE VOLTAGE | TERMINAL CONNECTIONS                             |       |        |        |
|                   | VOLTS | HERTZ | VOLTS  | CONSTANT CURRENT LOAD |          | CONSTANT IMPEDANCE LOAD |                                    | FOR INCREASING VOLTAGE AS VIEWED FROM BASE END ■ |       |        |        |
|                   |       |       |        | MAX. AMPS             | MAX. KVA | MAX. AMPS               |                                    | MAX. KVA   | INPUT | JUMPER | OUTPUT |
| THREE PHASE WYE ⌘ | 240   | 50/60 | 0-240  | 10                    | 4.16     | 13                      | 5.4                                | CW   | 1-1-1 | 4-4-4  | 3-3-3  |
|                   |       |       |        | CCW                   | 4-4-4    | 1-1-1                   | 3-3-3                              |  |       |        |        |
|                   | ++    | 60    | 0-280  | 10                    | 4.85     | —                       | —                                  | CW   | 5-5-5 | 4-4-4  | 3-3-3  |
|                   |       |       |        | CCW                   | 2-2-2    | 1-1-1                   | 3-3-3                              |  |       |        |        |

UNLESS OTHERWISE SPECIFIED, TOLERANCE IS ±  
DECIMALS .XX .0008 .06 .005  
HOLES .002  
ANGLES 1°  
DRAFT 1-1/2°  
UNITS IN [mm]

MATERIAL: ALL DIMENSIONS APPLY AFTER PLATING

TITLE: SPEC. CONTROL DRAWING  
VARIABLE TRANSFORMER  
MODEL: 1010BCT-3

STACO ENERGY PRODUCTS CO.  
A Components Corporation of America Company  
302 South Boulevard Dayton, Ohio 45403 USA

DRAWN BY S.A. SMITH DATE 9/18/97 FIRST USED ON DO NOT SCALE DWG.  
CHECKER DATE WEIGHT APPROX. 34.5 LBS CAGE CODE 83008  
ENGINEER DATE SCALE 1=1 SHEET 1 OF 1

DWG. NO. 031-1676

## Authorized Distribution Brand :



## Website :

Welcome to visit [www.ameya360.com](http://www.ameya360.com)

## Contact Us :

### ➤ Address :

401 Building No.5, JiuGe Business Center, Lane 2301, Yishan Rd  
Minhang District, Shanghai , China

### ➤ Sales :

Direct +86 (21) 6401-6692

Email [amall@ameya360.com](mailto:amall@ameya360.com)

QQ 800077892

Skype ameyasales1 ameyasales2

### ➤ Customer Service :

Email [service@ameya360.com](mailto:service@ameya360.com)

### ➤ Partnership :

Tel +86 (21) 64016692-8333

Email [mkt@ameya360.com](mailto:mkt@ameya360.com)