

# LP6 SERIES PUSHBUTTON SWITCH

ANTI-VANDAL SWITCHES  
 DETECTOR SWITCHES  
 DIP SWITCHES  
 KEYLOCK SWITCHES  
 NAVIGATION SWITCHES  
**PUSHBUTTON SWITCHES**  
 ROCKER SWITCHES  
 ROTARY SWITCHES  
 SLIDE SWITCHES  
 SNAP ACTION SWITCHES  
 TACTILE SWITCHES  
 TOGGLE SWITCHES  
 CAP OPTIONS



## APPLICATIONS / MARKETS



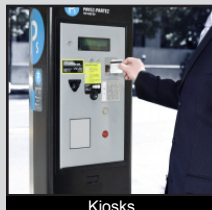
Audio / Visual



Consumer Electronics



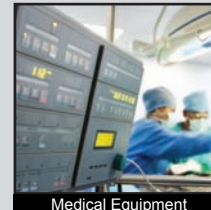
Vending Machines



Kiosks



Instrumentation



Medical Equipment

# RoHS

## SPECIFICATIONS

**Electrical Rating:** 12mA @ 12VDC  
**Mechanical Life:** 200,000 Cycles  
**Electrical Life:** 200,000 Cycles  
**Contact Resistance:** 50mΩ Max. initial  
**Insulation Resistance:** 100 MΩ Min. @ 500VDC  
**Dielectric Strength:** 500VAC  
**Operating/Storage Temperature:** -20°C to 70°C  
**Travel:** 2.20mm  
**Contact Arrangement:** SPST, DPST  
**Actuation Force:** SPST: 150 gf; DPST: 200 gf

## FEATURES & BENEFITS

- Single pole or double pole functions
- 15mm square, sculptured cap
- Multiple color options including RGB color

## PART NUMBER CONFIGURATOR

Series	Mechanical Configuration	Circuit Options	Cap Size Options	Cap Configuration Options	LED Color Options*
<input type="text" value="LP6"/>	<input type="text" value="OA - Momentary"/>	<input type="text" value="1 - SPST&lt;br/&gt;2 - DPST"/>	<input type="text" value="A - 15mm square"/>	<input type="text" value="S - Sculptured"/>	<input type="text" value="RR - Red-Red&lt;br/&gt;RG - Red-Green&lt;br/&gt;RB - Red-Blue&lt;br/&gt;RY - Red-Yellow&lt;br/&gt;RW - Red-White&lt;br/&gt;BB - Blue-Blue&lt;br/&gt;BW - Blue-White&lt;br/&gt;GG - Green-Green&lt;br/&gt;GB - Green-Blue&lt;br/&gt;GW - Green-White&lt;br/&gt;YY - Yellow-Yellow&lt;br/&gt;YG - Yellow-Green&lt;br/&gt;YB - Yellow-Blue&lt;br/&gt;YW - Yellow-White&lt;br/&gt;WW - White-White&lt;br/&gt;RGB - Red-Green-Blue"/>

\* Please refer to individual part number drawings for LED specifications.

*Specifications subject to change without notice*



**E-SWITCH®**

www.e-switch.com

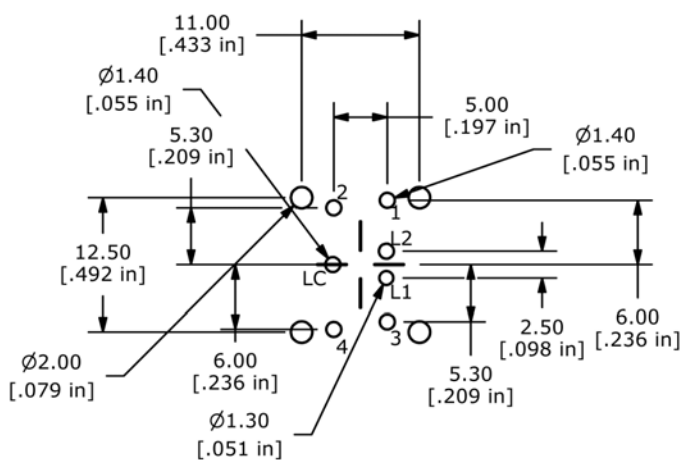
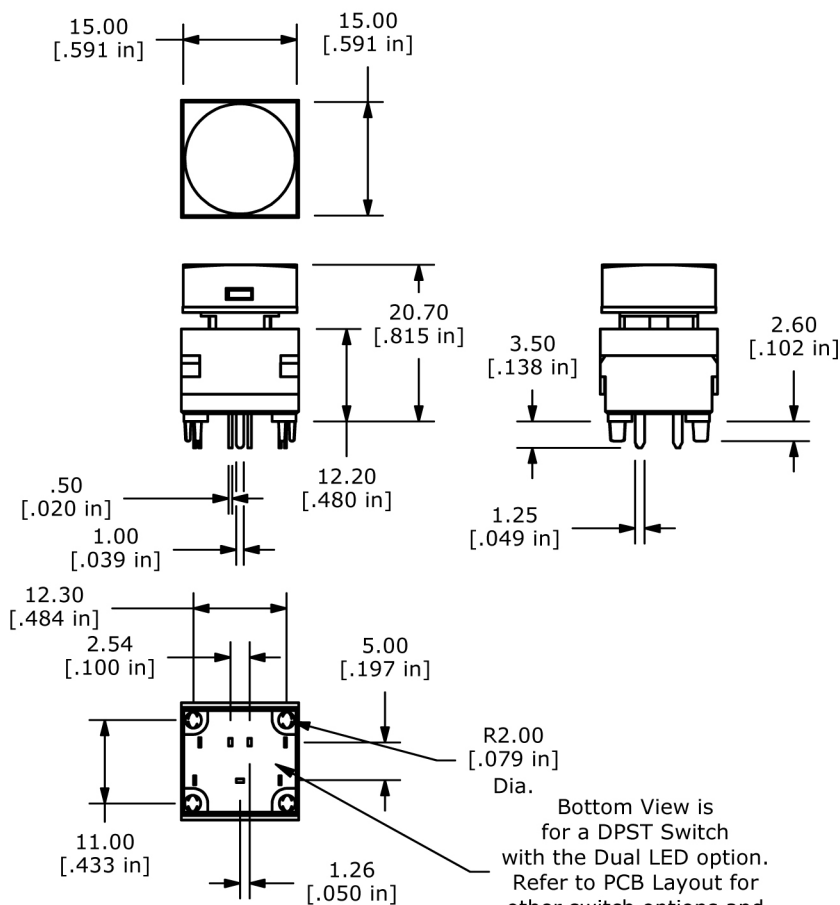
800.867.2717

2

# LP6 SERIES PUSHBUTTON SWITCH

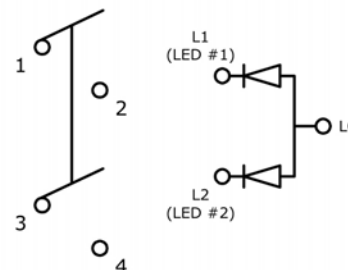
## BODY DIMENSIONS

### DUAL LED



PCB Layout  
Dual LED  
DPST with Dual LED Layout is Shown  
For SPST holes 3 & 4 are not required.

### PCB LAYOUT



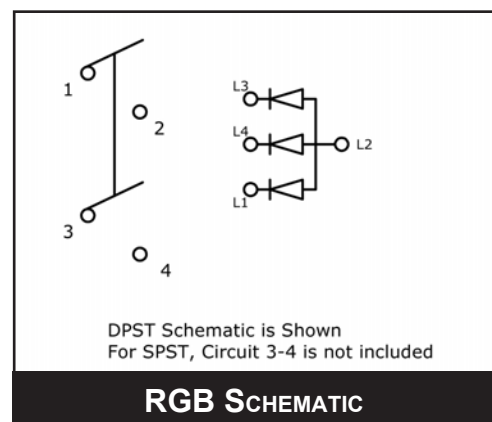
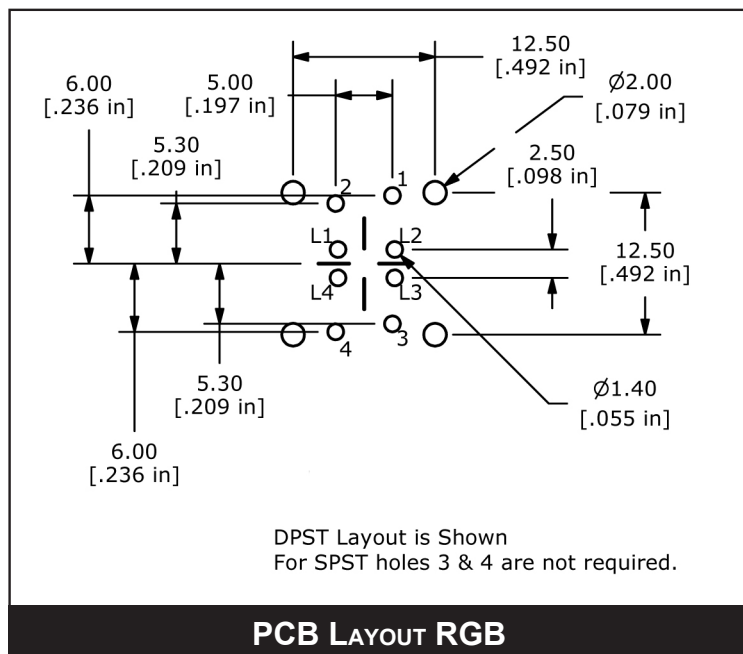
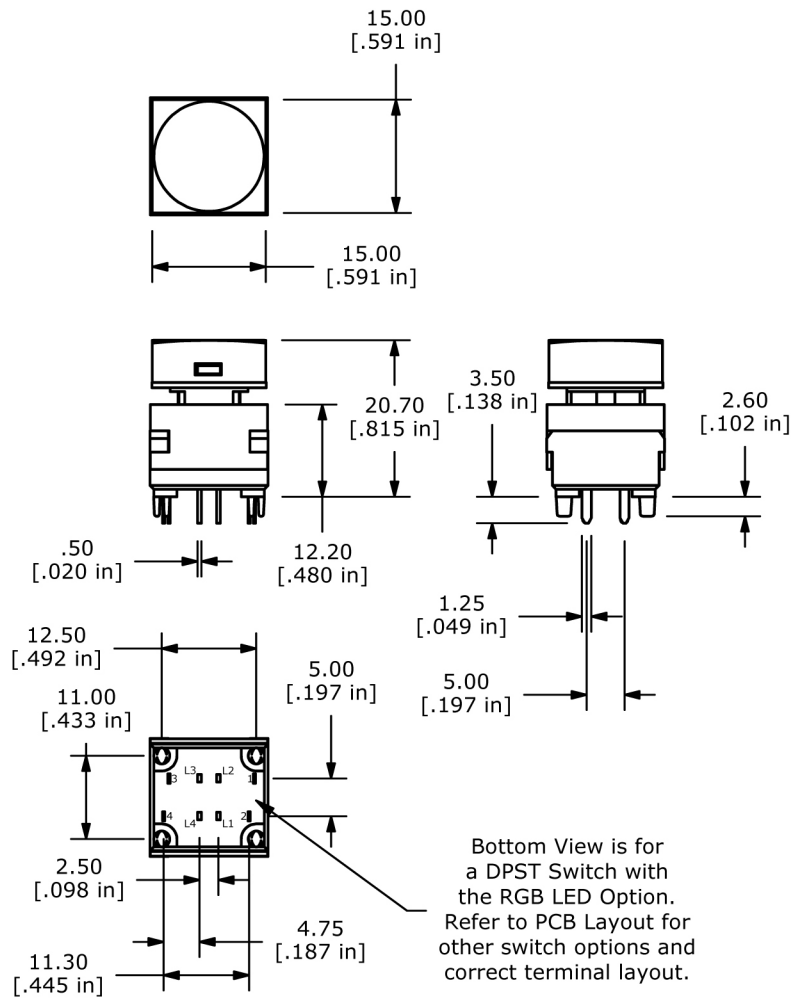
DPST with Dual LED Circuit is shown  
For SPST the circuit 3, 4 is not included

### SCHEMATIC



# LP6 SERIES PUSHBUTTON SWITCH

## BODY DIMENSIONS RGB LED



# AMEYA360

## Components Supply Platform

Authorized Distribution Brand :



Website :

Welcome to visit [www.ameya360.com](http://www.ameya360.com)

Contact Us :

➤ Address :

401 Building No.5, JiuGe Business Center, Lane 2301, Yishan Rd  
Minhang District, Shanghai , China

➤ Sales :

Direct +86 (21) 6401-6692

Email [amall@ameya360.com](mailto:amall@ameya360.com)

QQ 800077892

Skype [ameyasales1](#) [ameyasales2](#)

➤ Customer Service :

Email [service@ameya360.com](mailto:service@ameya360.com)

➤ Partnership :

Tel +86 (21) 64016692-8333

Email [mkt@ameya360.com](mailto:mkt@ameya360.com)