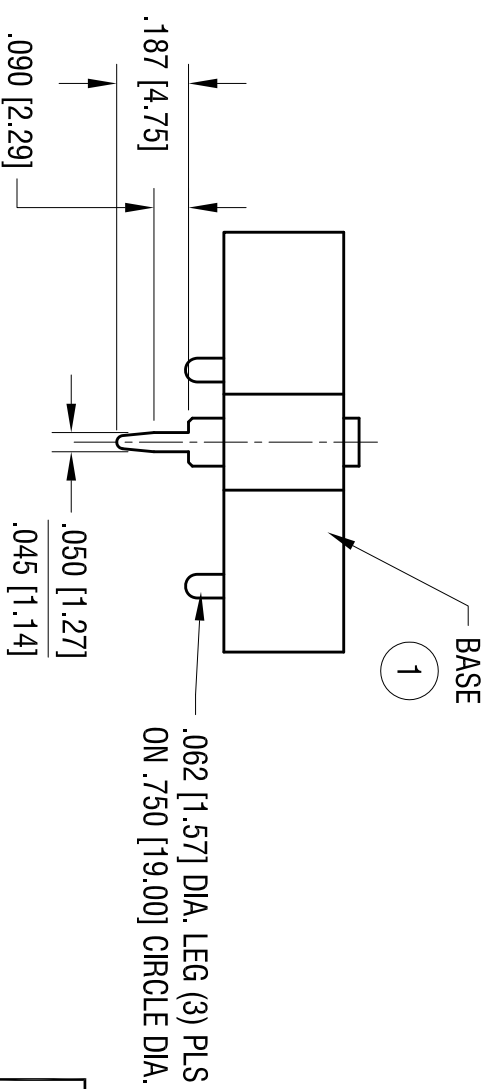
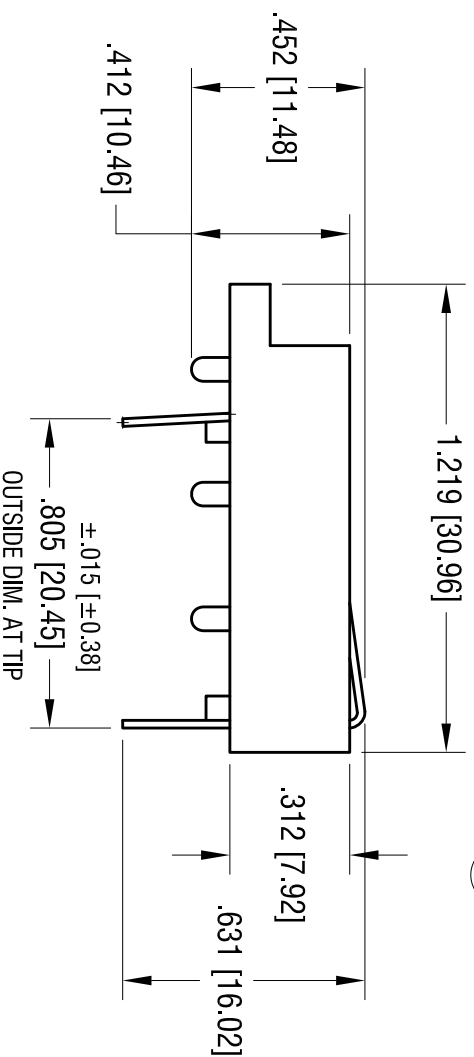
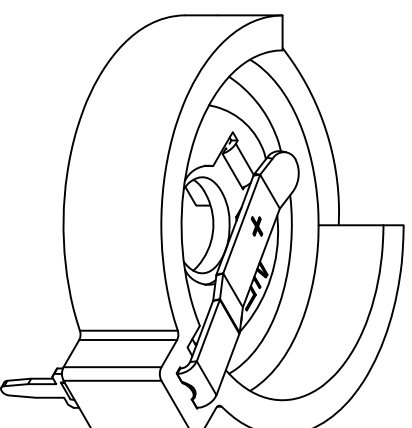
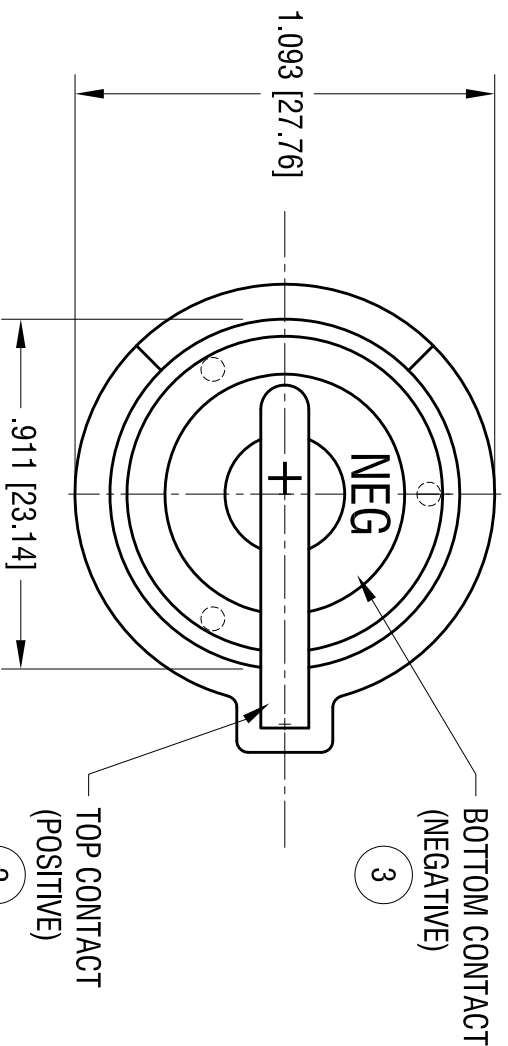


| DATE | DESCRIPTION | REV. |
|----------|--------------------------|------|
| 9.20.04 | CHANGE AS PER ECN 04-117 | D |
| 11.02.11 | CHANGE AS PER ECN 11-145 | E |



THIS DOCUMENT IS THE PROPERTY OF KEYSTONE ELECTRONICS CORP. AND IS NOT TO BE REPRODUCED OR USED AS A BASIS FOR MANUFACTURE WITHOUT PRIOR WRITTEN PERMISSION FROM KEYSTONE ELECTRONICS CORP.

KEYSTONE ELECTRONICS CORP.
 www.keystec.com • ASTORIA, N.Y. 11105-2017 • Tel (718) 956-8900

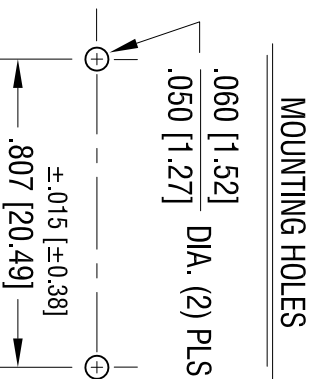
PART NAME: DUAL BATTERY HOLDER

MATERIAL: AS NOTED

FINISH: AS NOTED

| TOLERANCES | INCH | [MM] | CODE | DWG. NO. |
|------------|--------|----------|------|----------|
| DECIMAL | ± .010 | [± 0.25] | C | 1027 |
| ANGULAR | ± 1° | | | |

| ITEM | DESCRIPTION | MATERIAL/FINISH |
|------|----------------|------------------------------|
| 1 | BASE BLACK | PBT (UL 94V-0) |
| 2 | TOP CONTACT | SPRING STEEL .020 [0.50] THK |
| 3 | BOTTOM CONTACT | TIN NICKEL PLATE |



MOUNTING HOLES

AMEYA360

Components Supply Platform

Authorized Distribution Brand :



Website :

Welcome to visit www.ameya360.com

Contact Us :

➤ Address :

401 Building No.5, JiuGe Business Center, Lane 2301, Yishan Rd
Minhang District, Shanghai , China

➤ Sales :

Direct +86 (21) 6401-6692

Email amall@ameya360.com

QQ 800077892

Skype [ameyasales1](#) [ameyasales2](#)

➤ Customer Service :

Email service@ameya360.com

➤ Partnership :

Tel +86 (21) 64016692-8333

Email mkt@ameya360.com