

ALUMINUM ELECTROLYTIC CAPACITORS

UCD Chip Type, Low Impedance



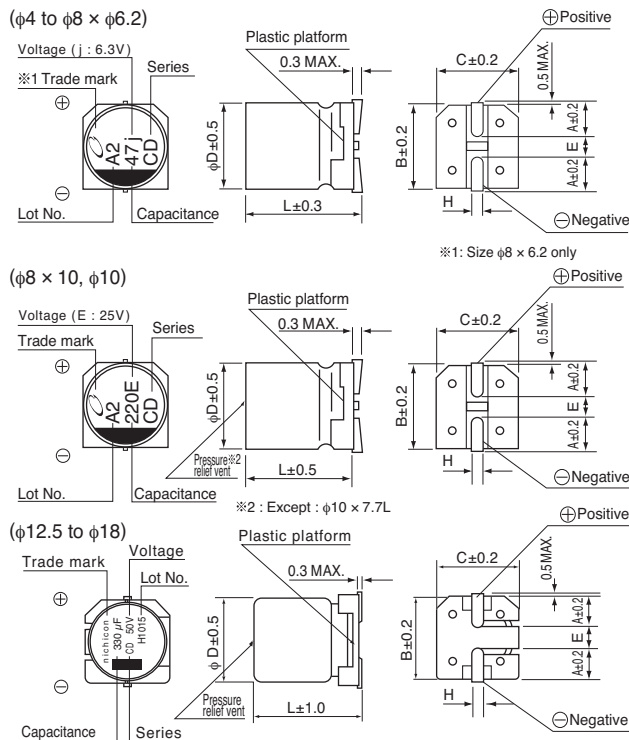
- Chip type, low impedance temperature range up to +105°C.
- Designed for surface mounting on high density PC board.
- Applicable to automatic mounting machine fed with carrier tape.
- Compliant to the RoHS directive (2011/65/EU).



Specifications

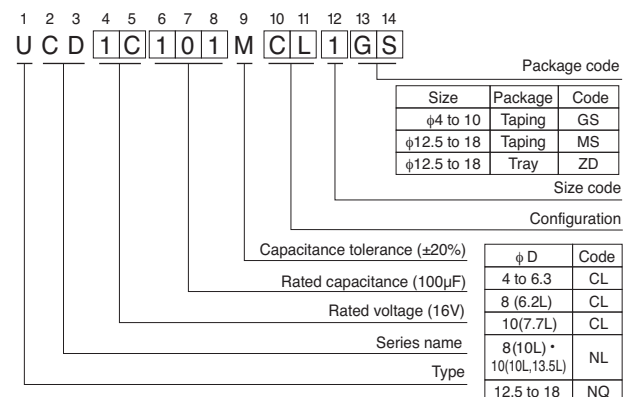
Item	Performance Characteristics																																						
Category Temperature Range	- 55 to +105°C																																						
Rated Voltage Range	6.3 to 100V																																						
Rated Capacitance Range	1 to 3300F																																						
Capacitance Tolerance	±20% at 120Hz, 20°C																																						
Leakage Current	After 2 minutes' application of rated voltage, leakage current is not more than 0.01 CV or 3 (µA), whichever is greater.																																						
Tangent of loss angle (tan δ)	Measurement frequency : 120Hz at 20°C																																						
	<table border="1"> <tr> <td>Rated voltage (V)</td> <td>6.3</td> <td>10</td> <td>16</td> <td>25</td> <td>35</td> <td>50</td> <td>63</td> <td>80</td> <td>100</td> </tr> <tr> <td>tan δ (MAX.)</td> <td>0.26</td> <td>0.19</td> <td>0.16</td> <td>0.14</td> <td>0.12</td> <td>0.10</td> <td>0.08</td> <td>0.08</td> <td>0.07</td> </tr> </table> <p>For capacitance of more than 1000µF, add 0.02 for every increase of 1000µF.</p>	Rated voltage (V)	6.3	10	16	25	35	50	63	80	100	tan δ (MAX.)	0.26	0.19	0.16	0.14	0.12	0.10	0.08	0.08	0.07																		
Rated voltage (V)	6.3	10	16	25	35	50	63	80	100																														
tan δ (MAX.)	0.26	0.19	0.16	0.14	0.12	0.10	0.08	0.08	0.07																														
Stability at Low Temperature	Measurement frequency : 120Hz																																						
	<table border="1"> <tr> <td>Rated voltage (V)</td> <td>6.3</td> <td>10</td> <td>16</td> <td>25</td> <td>35</td> <td>50</td> <td>63</td> <td>80</td> <td>100</td> </tr> <tr> <td rowspan="3">Impedance ratio ZT / Z20 (MAX.)</td> <td>Z-25°C / Z+20°C</td> <td>2</td> <td>2</td> <td>2</td> <td>2</td> <td>2</td> <td>2</td> <td>2</td> <td>2</td> </tr> <tr> <td>Z-40°C / Z+20°C</td> <td>3</td> <td>3</td> <td>3</td> <td>3</td> <td>3</td> <td>3</td> <td>3</td> <td>3</td> </tr> <tr> <td>Z-55°C / Z+20°C</td> <td>4</td> <td>4</td> <td>4</td> <td>3</td> <td>3</td> <td>3</td> <td>3</td> <td>3</td> </tr> </table>	Rated voltage (V)	6.3	10	16	25	35	50	63	80	100	Impedance ratio ZT / Z20 (MAX.)	Z-25°C / Z+20°C	2	2	2	2	2	2	2	2	Z-40°C / Z+20°C	3	3	3	3	3	3	3	3	Z-55°C / Z+20°C	4	4	4	3	3	3	3	3
	Rated voltage (V)	6.3	10	16	25	35	50	63	80	100																													
Impedance ratio ZT / Z20 (MAX.)	Z-25°C / Z+20°C	2	2	2	2	2	2	2	2																														
	Z-40°C / Z+20°C	3	3	3	3	3	3	3	3																														
	Z-55°C / Z+20°C	4	4	4	3	3	3	3	3																														
Endurance	<p>The specifications listed at right shall be met when the capacitors are restored to 20°C after the rated voltage is applied for 5000 hours (2000 hours for L < 10 mm: 50V or less, and for L ≤ 10mm: 63V or more) at 105°C.</p> <table border="1"> <tr> <td>Capacitance Change</td> <td>Within ± 30% of the initial capacitance value</td> </tr> <tr> <td>tan δ</td> <td>200% or less than the initial specified value 300% or less than the initial specified value for 63V or more</td> </tr> <tr> <td>Leakage current</td> <td>Less than or equal to the initial specified value</td> </tr> </table>	Capacitance Change	Within ± 30% of the initial capacitance value	tan δ	200% or less than the initial specified value 300% or less than the initial specified value for 63V or more	Leakage current	Less than or equal to the initial specified value																																
Capacitance Change	Within ± 30% of the initial capacitance value																																						
tan δ	200% or less than the initial specified value 300% or less than the initial specified value for 63V or more																																						
Leakage current	Less than or equal to the initial specified value																																						
Shelf Life	After storing the capacitors under no load at 105°C for 1000 hours and then performing voltage treatment based on JIS C 5101-4 clause 4.1 at 20°C, they shall meet the specified values for the endurance characteristics listed above.																																						
Resistance to soldering heat	<p>The capacitors are kept on a hot plate for 30 seconds, which is maintained at 250°C. The capacitors shall meet the characteristic requirements listed at right when they are removed from the plate and restored to 20°C.</p> <table border="1"> <tr> <td>Capacitance Change</td> <td>Within ± 10% of the initial capacitance value</td> </tr> <tr> <td>tan δ</td> <td>Less than or equal to the initial specified value</td> </tr> <tr> <td>Leakage current</td> <td>Less than or equal to the initial specified value</td> </tr> </table>	Capacitance Change	Within ± 10% of the initial capacitance value	tan δ	Less than or equal to the initial specified value	Leakage current	Less than or equal to the initial specified value																																
Capacitance Change	Within ± 10% of the initial capacitance value																																						
tan δ	Less than or equal to the initial specified value																																						
Leakage current	Less than or equal to the initial specified value																																						
Marking	Black print on the case top.																																						

Chip Type



※φ8 × 10L, φ10 × 10L, φ12.5 × 13.5L, φ16 × 16.5L, φ18 × 16.5L :
 The vibration structure-resistant product is also available upon request, please ask for details.

Type numbering system (Example : 16V 100µF)



φD × L	4 × 5.8	5 × 5.8	6.3 × 5.8	6.3 × 7.7	8 × 6.2	8 × 10	10 × 7.7	10 × 10	(mm)
A	1.8	2.1	2.4	2.4	3.3	2.9	3.2	3.2	
B	4.3	5.3	6.6	6.6	8.3	8.3	10.3	10.3	
C	4.3	5.3	6.6	6.6	8.3	8.3	10.3	10.3	
E	1.0	1.3	2.2	2.2	2.3	3.1	4.5	4.5	
L	5.8	5.8	5.8	7.7	6.2	10	7.7	10	
H	0.5 to 0.8	0.5 to 0.8	0.5 to 0.8	0.5 to 0.8	0.5 to 0.8	0.8 to 1.1	0.8 to 1.1	0.8 to 1.1	

φD × L	10 × 13.5	12.5 × 13.5	16 × 16.5	18 × 16.5
A	3.2	4.8	5.4	6.4
B	10.3	13.6	17.1	19.1
C	10.3	13.6	17.1	19.1
E	4.5	4.0	6.3	6.3
L	13.5	13.5	16.5	16.5
H	0.8 to 1.1	1.0 to 1.4	1.0 to 1.4	1.0 to 1.4

Voltage	V	6.3	10	16	25	35	50	63	80	100
Code	j	A	C	E	V	H	J	K	2A	

• Dimension table in next page.

AMEYA360

Components Supply Platform

Authorized Distribution Brand :



Website :

Welcome to visit www.ameya360.com

Contact Us :

➤ Address :

401 Building No.5, JiuGe Business Center, Lane 2301, Yishan Rd
Minhang District, Shanghai , China

➤ Sales :

Direct +86 (21) 6401-6692

Email amall@ameya360.com

QQ 800077892

Skype [ameyasales1](#) [ameyasales2](#)

➤ Customer Service :

Email service@ameya360.com

➤ Partnership :

Tel +86 (21) 64016692-8333

Email mkt@ameya360.com