



Features

- Available in E12 series
- Height of 10 mm
- Current rating up to 11 A
- RoHS compliant*

Applications

- Input/output of DC/DC converters
- Power supplies for:
 - Portable communication equipment
 - Camcorders
 - LCD TVs
 - Car radios

SRR1210 Series - Shielded SMD Power Inductors

Electrical Characteristics

Bourns Part No.	Inductance 100 KHz		Q Ref.	Test Frequency (MHz)	SRF MHz Typ.	DCR max. (mΩ)	I rms (A)	I sat (A)
	uH	Tol. %						
SRR1210-1R0Y	1.0	±30	10	7.96	85	6.0	11.0	16.5
SRR1210-1R8Y	1.8	±30	10	7.96	56	7.5	10.2	13.2
SRR1210-2R2Y	2.2	±30	10	7.96	54	9.0	9.5	12.2
SRR1210-3R3Y	3.3	±30	15	7.96	44	10	9.0	10.5
SRR1210-4R7Y	4.7	±30	8	7.96	35	12	8.5	9.6
SRR1210-5R6Y	5.6	±30	12	7.96	28	14	8.0	8.5
SRR1210-6R8Y	6.8	±30	12	7.96	20	15	7.9	8.3
SRR1210-8R2Y	8.2	±30	11	7.96	16	17	7.3	7.5
SRR1210-100M	10	±20	16	2.52	12	18	6.5	6.5
SRR1210-120M	12	±20	14	2.52	18	22	6.3	6.1
SRR1210-150M	15	±20	16	2.52	10.5	32	5.8	5.3
SRR1210-180M	18	±20	13	2.52	8.0	35	5.5	5.1
SRR1210-220M	22	±20	16	2.52	8.0	38	5.2	4.5
SRR1210-270M	27	±20	16	2.52	6.5	40	5.0	4.2
SRR1210-330M	33	±20	16	2.52	6.5	52	4.4	3.7
SRR1210-390M	39	±20	16	2.52	4.5	66	4.2	3.5
SRR1210-470M	47	±20	16	2.52	4.5	72	3.8	3.1
SRR1210-560M	56	±20	8	2.52	4.0	90	3.4	2.9
SRR1210-680M	68	±20	12	2.52	3.8	102	3.0	2.7
SRR1210-820M	82	±20	15	2.52	3.5	112	2.8	2.5
SRR1210-101M	100	±20	16	0.796	3.0	135	2.5	2.2
SRR1210-121M	120	±20	13	0.796	2.6	170	2.3	1.9
SRR1210-151M	150	±20	12	0.796	2.2	190	2.2	1.8
SRR1210-181M	180	±20	14	0.796	1.8	250	1.9	1.6
SRR1210-221M	220	±20	15	0.796	1.8	315	1.7	1.5
SRR1210-271M	270	±20	16	0.796	1.8	410	1.5	1.3
SRR1210-331M	330	±20	14	0.796	1.8	450	1.4	1.2
SRR1210-391M	390	±20	16	0.796	1.3	600	1.3	1.1
SRR1210-471M	470	±20	12	0.796	0.85	820	1.2	1.0
SRR1210-561M	560	±20	12	0.796	0.85	900	1.1	0.95
SRR1210-681M	680	±20	11	0.796	0.85	1200	1.0	0.85
SRR1210-821M	820	±20	6	0.796	0.85	1320	0.85	0.75
SRR1210-102M	1000	±20	22	0.796	0.85	1650	0.75	0.70

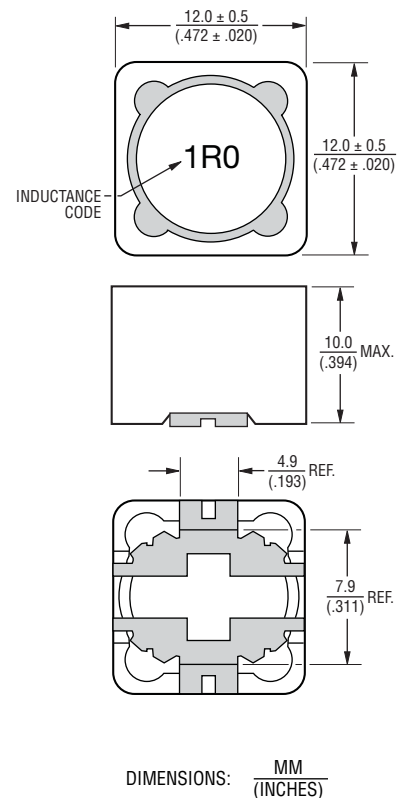
General Specifications

Test Voltage 0.25 volt/1 KHz
 Operating Temperature -40 °C to +125 °C
 (Temperature rise included)
 Storage Temperature -40 °C to +125 °C
 Resistance to Soldering Heat 260 °C for 5 sec.
 Rated Current Ind. drop of 20 % typ. at Isat
 Temperature Rise .. 40 °C typical at Irms

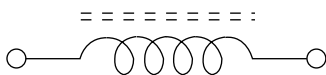
Materials

Core Ferrite DR & RI
 Wire Enameled copper
 Terminal coating Matte Sn
 Packaging 250 pcs. per reel

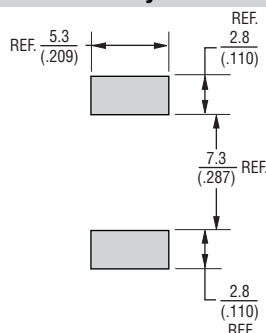
Product Dimensions



Schematic



Recommended Layout

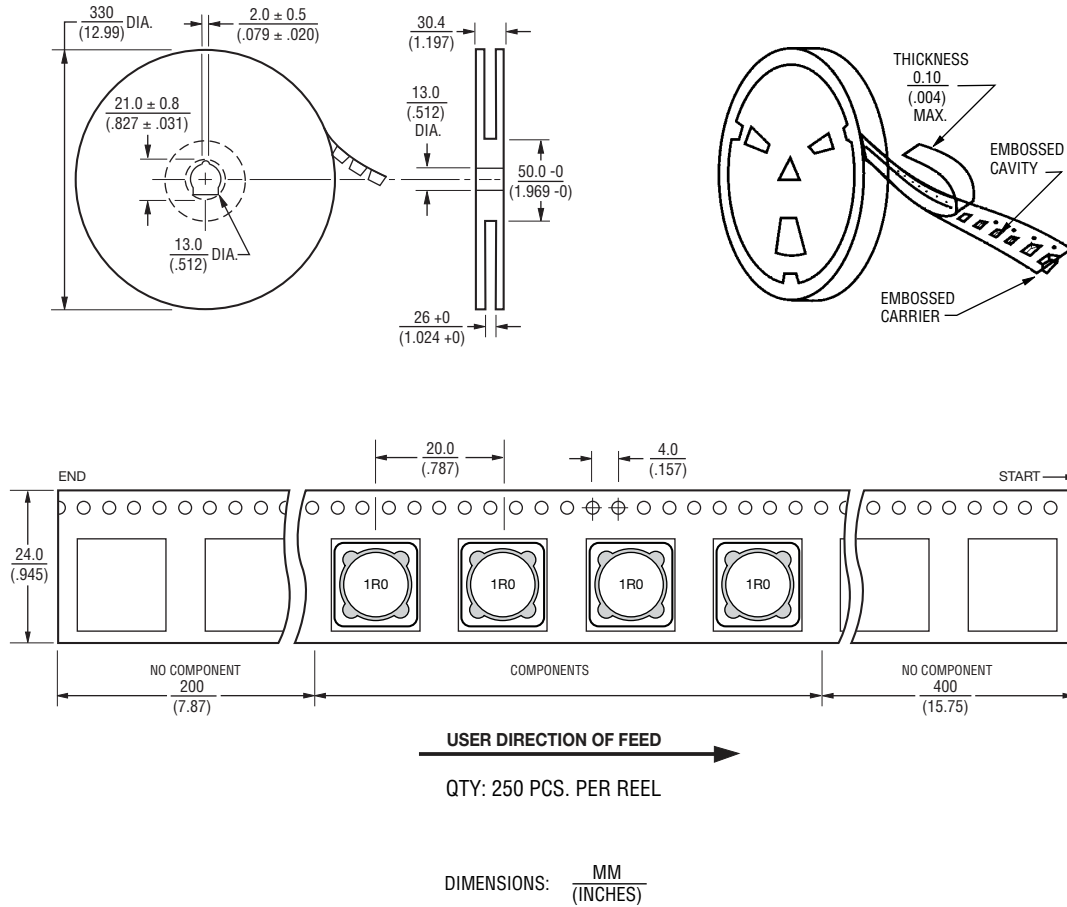


*RoHS Directive 2002/95/EC Jan. 27, 2003 including annex and RoHS Recast 2011/65/EU June 8, 2011. Specifications are subject to change without notice. The device characteristics and parameters in this data sheet can and do vary in different applications and actual device performance may vary over time. Users should verify actual device performance in their specific applications.

SRR1210 Series - Shielded SMD Power Inductors

BOURNS®

Packaging Specifications



REV. 03/15

Specifications are subject to change without notice.
 The device characteristics and parameters in this data sheet can and do vary in different applications and actual device performance may vary over time.
 Users should verify actual device performance in their specific applications.

AMEYA360

Components Supply Platform

Authorized Distribution Brand :



Website :

Welcome to visit www.ameya360.com

Contact Us :

➤ Address :

401 Building No.5, JiuGe Business Center, Lane 2301, Yishan Rd
Minhang District, Shanghai , China

➤ Sales :

Direct +86 (21) 6401-6692

Email amall@ameya360.com

QQ 800077892

Skype [ameyasales1](#) [ameyasales2](#)

➤ Customer Service :

Email service@ameya360.com

➤ Partnership :

Tel +86 (21) 64016692-8333

Email mkt@ameya360.com