

D

C

B

A

4

4

3

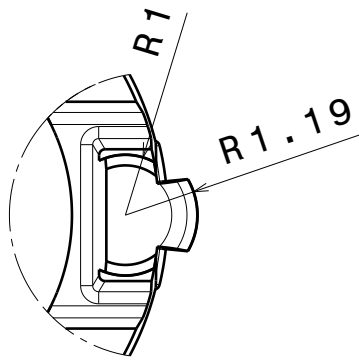
3

2

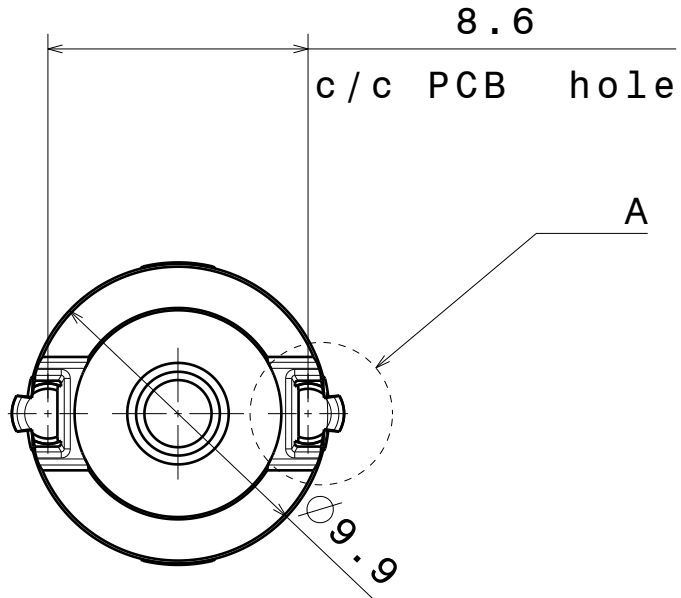
2

1

1



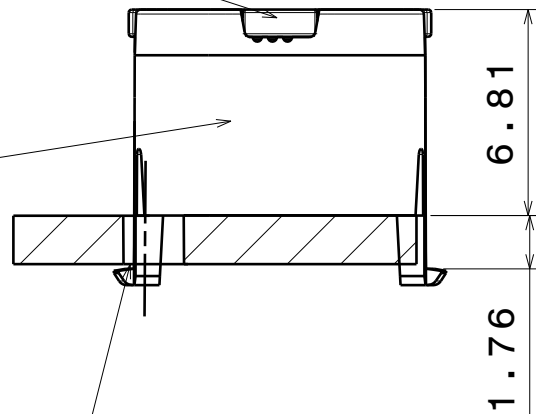
Detail A
Scale: 8:1



Bottom view
Scale: 4:1

Lens

Holder



Front view
Scale: 4:1

Materials:
Lens PMMA
Holder PC

Note:
Take tolerances
into account
when specifying
holes for PCB

This drawing is our property.
It can't be reproduced
or communicated without
our written agreement.



Ledil Oy
Salorankatu 10
FIN-24240 SALO
Finland

DRAWING TITLE

Datasheet Lisa2-clip16-XT series Assy

DRAWN BY

pl

DATE

20.06.2012

CHECKED BY

sn

DATE

20.7.2011

DESIGNED BY

pl

DATE

20.06.2012

SIZE

A4

DRAWING NUMBER

REV

1

SCALE

4:1

WEIGHT (g)

SHEET

1/1

D

A

AMEYA360

Components Supply Platform

Authorized Distribution Brand :



Website :

Welcome to visit www.ameya360.com

Contact Us :

➤ Address :

401 Building No.5, JiuGe Business Center, Lane 2301, Yishan Rd
Minhang District, Shanghai , China

➤ Sales :

Direct +86 (21) 6401-6692

Email amall@ameya360.com

QQ 800077892

Skype [ameyasales1](#) [ameyasales2](#)

➤ Customer Service :

Email service@ameya360.com

➤ Partnership :

Tel +86 (21) 64016692-8333

Email mkt@ameya360.com