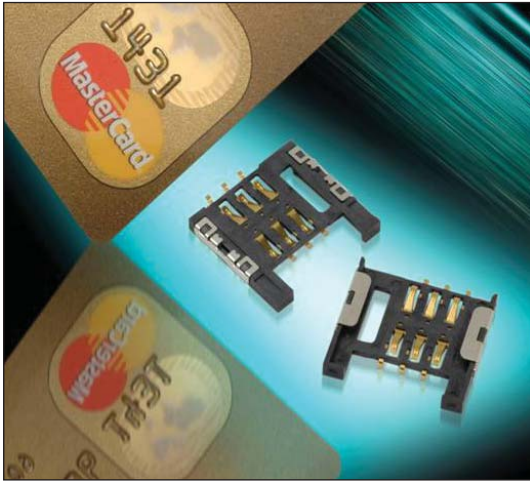


9162 Slide-In Low Profile SIM Connector



GENERAL DESCRIPTION

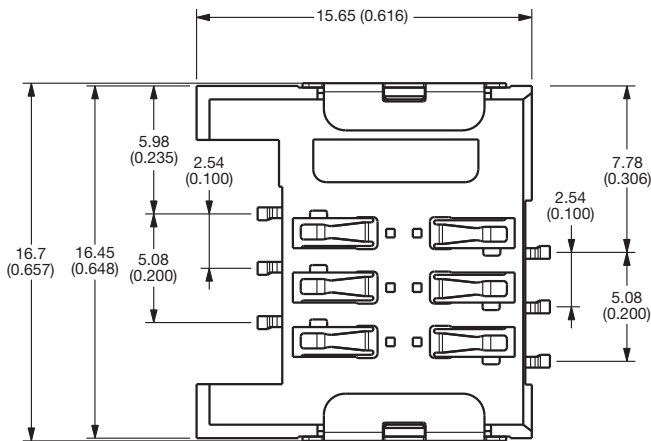
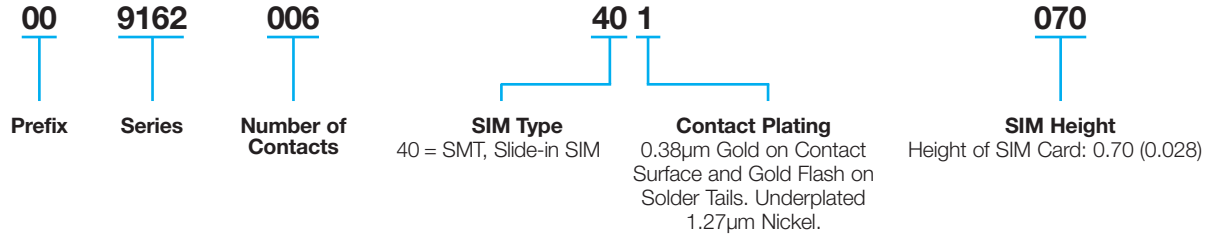
- Six position Slide-In SIM
- Low Profile – 0.70mm to SIM base
- Side bracket to add solder security
- SIM guidance using the side walls

KEY FEATURES AND BENEFITS

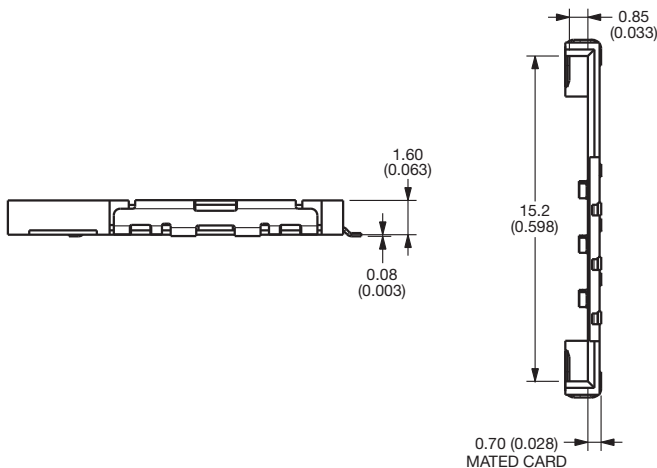
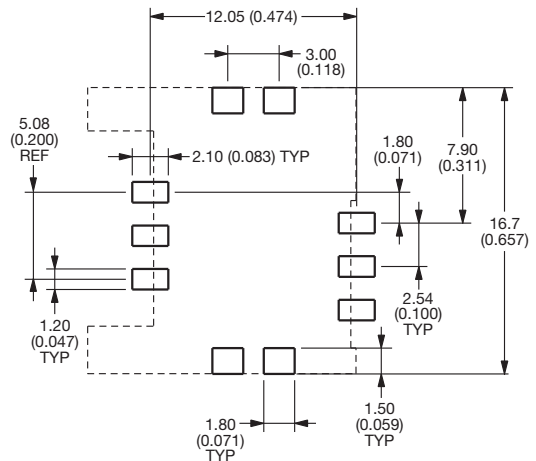
- SMT Slide-In SIM
- Molded in high temperature LCP
- 0.38µm Gold on contact surface and gold flash on contact tails
- 1.60mm connector height
- Tape & Reel packaging



HOW TO ORDER



Suggested PCB Layout



AMEYA360

Components Supply Platform

Authorized Distribution Brand :



Website :

Welcome to visit www.ameya360.com

Contact Us :

➤ Address :

401 Building No.5, JiuGe Business Center, Lane 2301, Yishan Rd
Minhang District, Shanghai , China

➤ Sales :

Direct +86 (21) 6401-6692

Email amall@ameya360.com

QQ 800077892

Skype [ameyasales1](#) [ameyasales2](#)

➤ Customer Service :

Email service@ameya360.com

➤ Partnership :

Tel +86 (21) 64016692-8333

Email mkt@ameya360.com