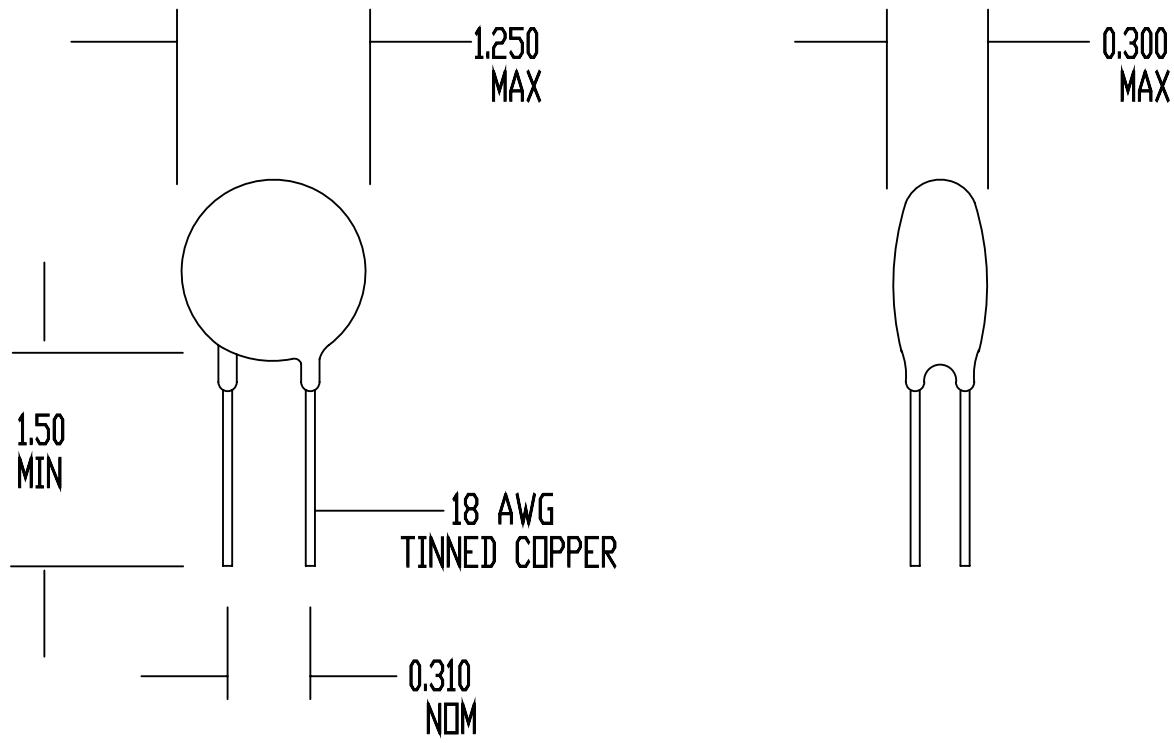


REV	DATE	ECO#

DRAWING NOT TO SCALE
ALL DIMENSIONS IN INCHES



SPECIFICATIONS:
 RESISTANCE AT 25 DEG C = 2 OHMS +/- 25%
 MAXIMUM CONTINUOUS CURRENT (I_{max}) = 23 AMPS
 RESISTANCE AT I_{max} = 0.025 OHMS NOMINAL
 MAXIMUM VOLTAGE RATING = 265 VAC (RMS)
 MAXIMUM SURGE RATING = 250 JOULES
 ENCAPSULATION = SILICONE RESIN
 MARKING = OPTION
 LEADS = RODAN P/N STL209-50

DRAWN BY F. TISED		AMETHERM <i>Circuit Protection Thermistors</i>
DATE 7/14/92		
REV NONE	APP	SURGE-GARD INRUSH CURRENT LIMITER
SHEET 1 OF 1		SG420

AMEYA360

Components Supply Platform

Authorized Distribution Brand :



Website :

Welcome to visit www.ameya360.com

Contact Us :

➤ Address :

401 Building No.5, JiuGe Business Center, Lane 2301, Yishan Rd
Minhang District, Shanghai , China

➤ Sales :

Direct +86 (21) 6401-6692

Email amall@ameya360.com

QQ 800077892

Skype ameyasales1 ameyasales2

➤ Customer Service :

Email service@ameya360.com

➤ Partnership :

Tel +86 (21) 64016692-8333

Email mkt@ameya360.com