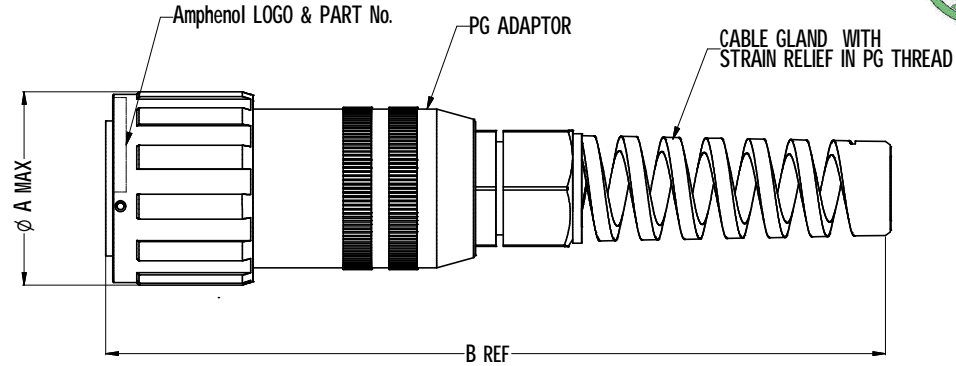
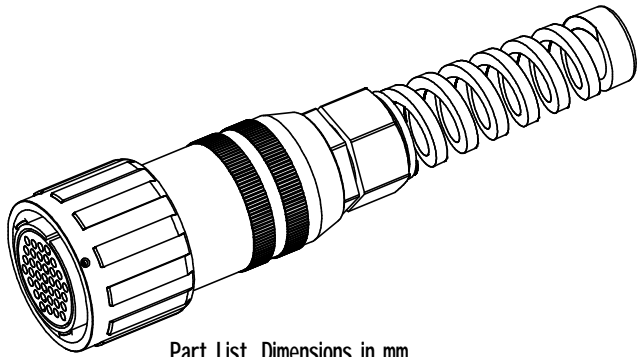




Part List, Dimensions in mm

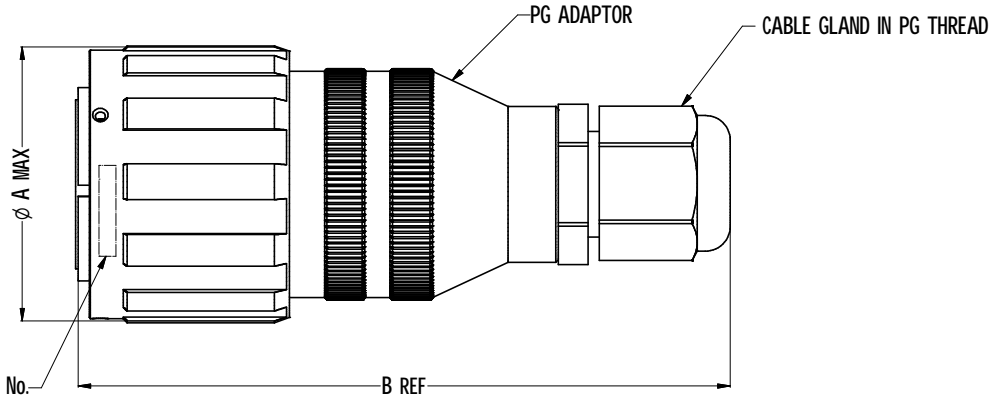
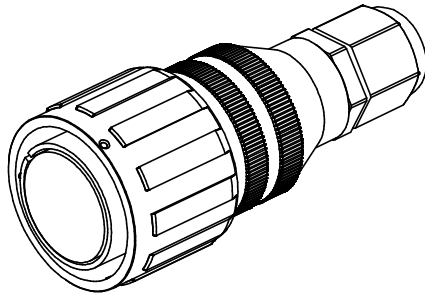
PART No	No OF CONTACTS	CABLE GLAND SIZE	DIA A	LENGTH B	ROLLER PIN
MP-4106-13S	13	PG11	39.9	160	NO
MP-4106-19S	19	PG13.5	43.1	171	NO
MP-4106-25S	25	PG16	46.6	193	NO
MP-4106-37S	37	PG21	53.4	210	NO
MP-4106-54S	54	PG21	60.7	210	YES



13, 19, 25, 37 AND 54 CONTACT TYPE

Part List, Dimensions in mm

PART No	No. OF CONTACTS	CABLE GLAND SIZE	DIA A	LENGTH B	ROLLER PIN
MP-4106-85S	85	PG29	72.4	137	YES
MP-4106-150S	150	PG36	72.4	145	YES



85 AND 150 CONTACT TYPE

NOTES:

- MATERIAL AND FINISH:
 - FOR CONNECTOR SHELL AND ADAPTOR: ALUMINUM ALLOY, BLACK FINISH
 - FOR PG CABLE GLAND: POLYAMIDE BLACK.
- SUPPLIED WITH GOLD PLATED CONTACTS

CUSTOMER DRAWING

UNLESS OTHERWISE SPECIFIED TOLERANCE TO BE		THIS DOCUMENT IS THE PROPERTY OF AMPHENOL AUSTRALIA PTY. LTD. NO PART THEREOF MAY BE REPRODUCED AND USED WITHOUT THE PRIOR WRITTEN CONSENT OF THE OWNER			
LINEAR	ANGULAR	CAD FILE: 55010234000214	DRN: T.N	DATE: 01/08/03	REV.
X ±	X' ± 1	MATL: SEE NOTE 1	CKD: P.M	DATE: 20/02/06	REV. 1
X.X ±	X'X' ± 30'	FINISH: SEE NOTE 1	APP'D: P.M	DATE: 20/02/06	REV. 2
XXX ±	XXX' ± 15'	DO NOT SCALE	SCALE: SEE NOTE 1	SCALE: SEE TABLE	REV. 3
BREAK ALL SHARP EDGES AND REMOVE ALL BURRS		DIMENSIONS IN MILLIMETRES		THIRD ANGLE PROJECTION	
DO NOT SCALE		FINISH: SEE NOTE 1		APP'D: P.M	
DIMENSIONS IN MILLIMETRES		THIRD ANGLE PROJECTION		SCALE: SEE TABLE	

4	CHANGE FINISH TO BLACK COATING	T.N	17/02/06	8478
3	CHANGE FINISH NOTES ADD ROLLER PIN. ADD DIM E FOR COUPLING NUT	T.N	09/09/05	8422
2	CHANGE FINISH FROM PLATING TO COATING	L.V	16-04-04	8277
1	SEE CHANGE NOTE 8236	T.N	18/11/03	2836
0	FIRST ISSUE	T.N	01/08/03	----
REV.	CHANGE DETAILS	BY	DATE	CHG/No

TITLE: STRAIGHT CABLE PLUG WITH SOCKET CONTACTS

Amphenol

Amphenol Australia Pty Ltd, 1 Pinesville Blvd, Kaysborough, VIC 3171

DRAWING NO. 55010234-000-2

SHEET 2/2

AMEYA360

Components Supply Platform

Authorized Distribution Brand :



Website :

Welcome to visit www.ameya360.com

Contact Us :

➤ Address :

401 Building No.5, JiuGe Business Center, Lane 2301, Yishan Rd
Minhang District, Shanghai , China

➤ Sales :

Direct +86 (21) 6401-6692

Email amall@ameya360.com

QQ 800077892

Skype ameyasales1 ameyasales2

➤ Customer Service :

Email service@ameya360.com

➤ Partnership :

Tel +86 (21) 64016692-8333

Email mkt@ameya360.com