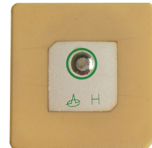


# 2338MHz; 25 x 25 x 4mm SDARS Patch Antenna

**APAE2338L2540DDDB1-T**



**RoHS  
Compliant**



25.0 x 25.0 x 4.0mm

**MSL level: Not Applicable**

This product is RoHS compliant  
Pb in ceramic (exempt per RoHS 2002/95/EC Annex (7)).

## FEATURES:

- High Gain
- Compact Size and Low Profile
- Pin type
- Customization Available
- RoHS Compliance

## TYPICAL APPLICATIONS:

- Satellite radios

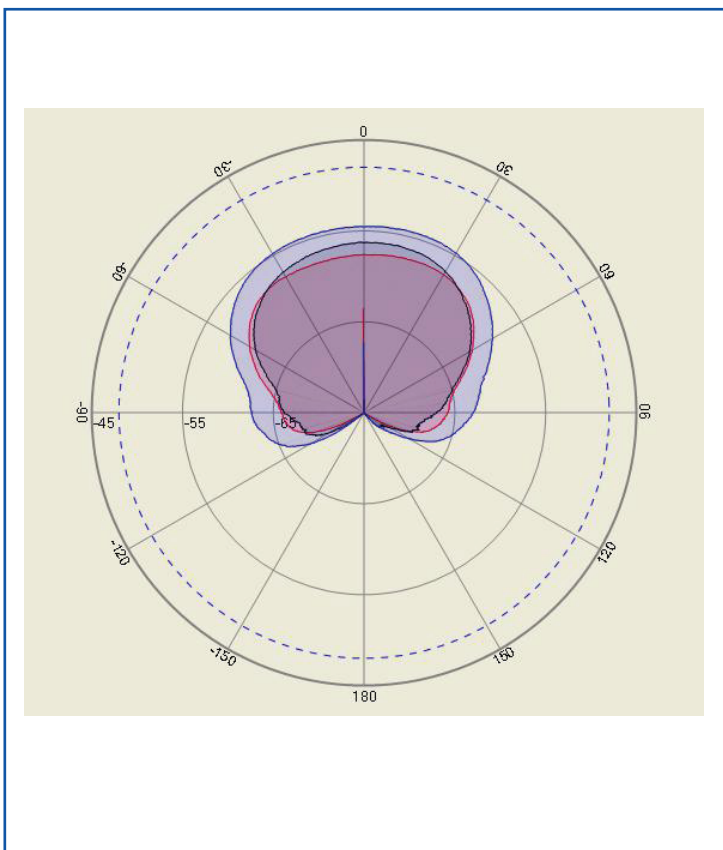
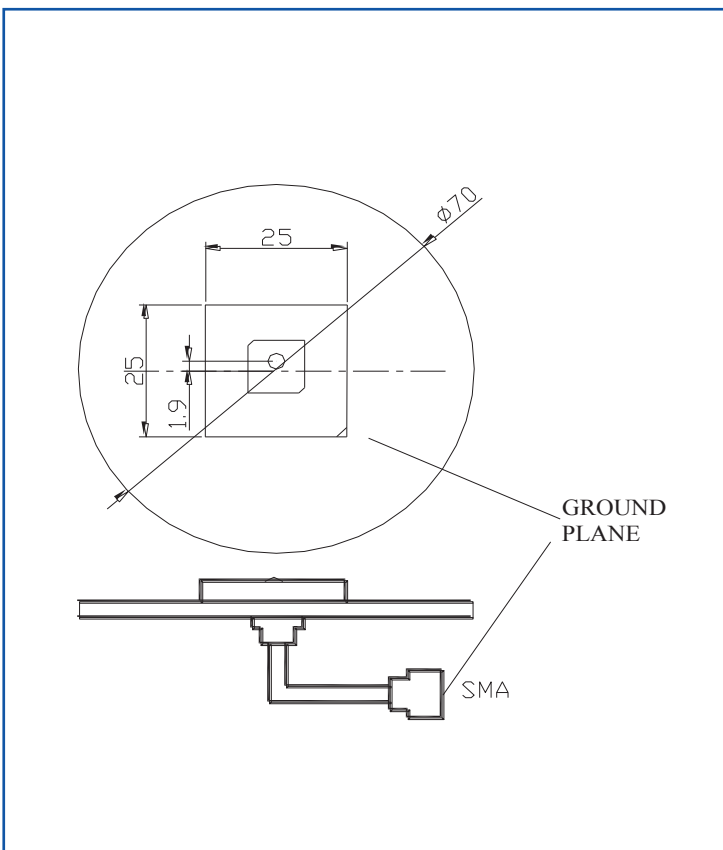
## STANDARD SPECIFICATIONS:

Parameters	Min.	Typ.	Max.	Units	Note
Center Frequency @ -10dB bandwidth <sup>(*)</sup>	2338.0±10.0			MHz	(with adhesive tape on $\phi$ 70 mm ground plane)
-10dB bandwidth	30			MHz	
VSWR @ Center Frequency			1.5		
Polarization Model	LHCP				(Left Hand Circular Polarization)
Impedance	50			$\Omega$	
Gain ( at Zenith 90°)		5.0		dBic	(Peak gain on standardized Ground Plane.)
Frequency Temperature Coefficient			20	ppm/°C	

<sup>(\*)</sup>Application environment, including size of ground plane will affect stated performance. Fine tuning might be required when installed on customer's PCB.

## TEST CONDITIONS & TEST SETUP:

## RADIATION PATTERN

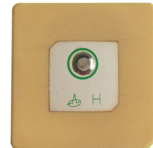


# 2338MHz; 25 x 25 x 4mm SDARS Patch Antenna

**APAE2338L2540DDDB1-T**



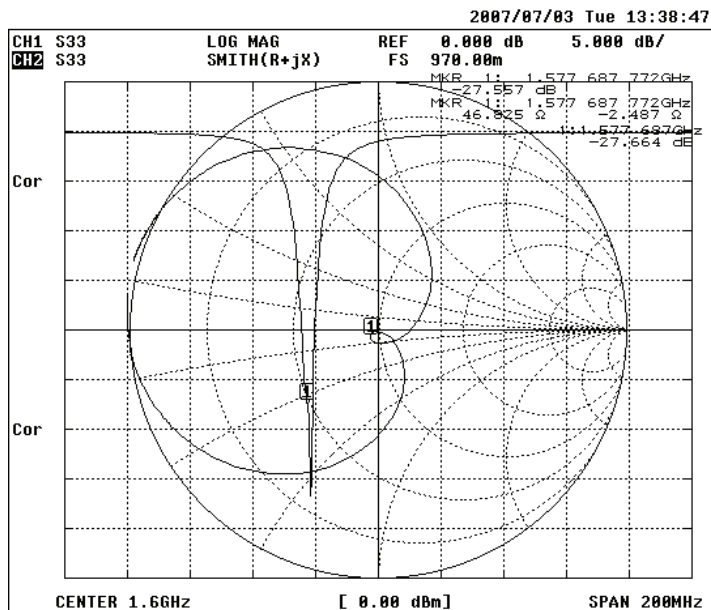
**RoHS  
Compliant**



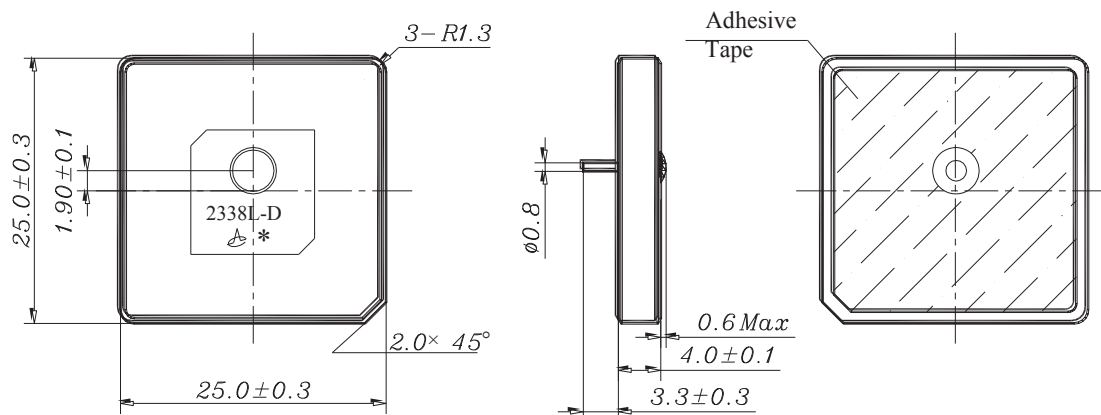
25.0 x 25.0 x 4.0mm

This product is RoHS compliant  
Pb in ceramic (exempt per RoHS 2002/95/EC Annex (7)).

## IMPEDANCE CHARACTERISTICS



## OUTLINE DRAWING:



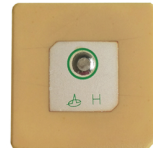
Dimension: mm

# 2338MHz; 25 x 25 x 4mm SDARS Patch Antenna

**APAE2338L2540DDDB1-T**



**RoHS  
Compliant**



25.0 x 25.0 x 4.0mm

This product is RoHS compliant

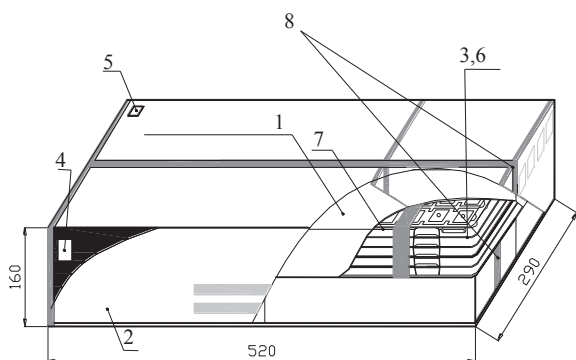
Pb in ceramic (exempt per RoHS 2002/95/EC Annex (7)).

## PACKAGING:

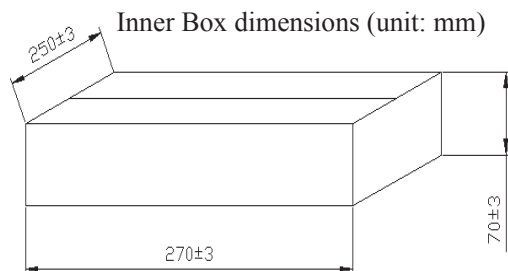
“T” is for a vacuum sealed tray containing 50 units.

1000 pieces is the suggested quantity containing 20-trays with 50-pcs per Tray.

NOTE: This product is vacuum packaged to reduce the possibility of oxidation and/or contamination during storage.



NO.	Name
1	Inner Box
2	Package
3	Vacuum Bag
4	Certificate of approval
5	Label
6	Cushion
7	Tray
8	Adhesive tape



Inner Box dimensions (unit: mm)

## CAUTION:

- (1) Do not apply excess mechanical stress to the component body or terminations. Do not attempt to re-form or bend the components as this will cause damage to the component.
- (2) Do not expose the component to open flame.
- (3) This specification applies to the functionality of the component as a single unit. Please insure the component is thoroughly evaluated in the application circuit.

## NOTE:

- (1) The parts are manufactured in accordance with this specification. If other conditions and specifications which are required for this specification, please contact ABRACON for more information.
- (2) ABRACON will supply the parts in accordance with this specification unless we receive a written request to modify prior to an order placement.
- (3) In no case shall ABRACON be liable for any product failure from in appropriate handling or operation of the item beyond the scope of this specification.
- (4) When changing your production process, please notify ABRACON immediately.
- (5) ABRACON Corporation's products are COTS – Commercial-Off-The-Shelf products; suitable for Commercial, Industrial and, where designated, Automotive Applications. ABRACON's products are not specifically designed for Military, Aviation, Aerospace, Life-dependant Medical applications or any application requiring high reliability where component failure could result in loss of life and/or property. For applications requiring high reliability and/or presenting an extreme operating environment, written consent and authorization from ABRACON Corporation is required. Please contact ABRACON Corporation for more information.
- (6) All specifications and Marking will be subject to change without notice.

**ATTENTION:** Abracon Corporation's products are COTS – Commercial-Off-The-Shelf products; suitable for Commercial, Industrial and, where designated, Automotive Applications. Abracon's products are not specifically designed for Military, Aviation, Aerospace, Life-dependant Medical applications or any application requiring high reliability where component failure could result in loss of life and/or property. For applications requiring high reliability and/or presenting an extreme operating environment, written consent and authorization from Abracon Corporation is required. Please contact Abracon Corporation for more information.

ABRACON IS  
ISO9001:2008  
CERTIFIED



Visit [www.abracon.com](http://www.abracon.com) for Terms & Conditions of Sale **Revised 01.31.14**  
30332 Esperanza, Rancho Santa Margarita, California 92688  
tel 949-546-8000 | fax 949-546-8001 | [www.abracon.com](http://www.abracon.com)

# AMEYA360

## Components Supply Platform

Authorized Distribution Brand :



Website :

Welcome to visit [www.ameya360.com](http://www.ameya360.com)

Contact Us :

➤ Address :

401 Building No.5, JiuGe Business Center, Lane 2301, Yishan Rd  
Minhang District, Shanghai , China

➤ Sales :

Direct +86 (21) 6401-6692

Email [amall@ameya360.com](mailto:amall@ameya360.com)

QQ 800077892

Skype [ameyasales1](#) [ameyasales2](#)

➤ Customer Service :

Email [service@ameya360.com](mailto:service@ameya360.com)

➤ Partnership :

Tel +86 (21) 64016692-8333

Email [mkt@ameya360.com](mailto:mkt@ameya360.com)