

D

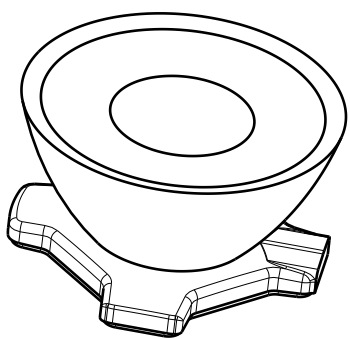
C

B

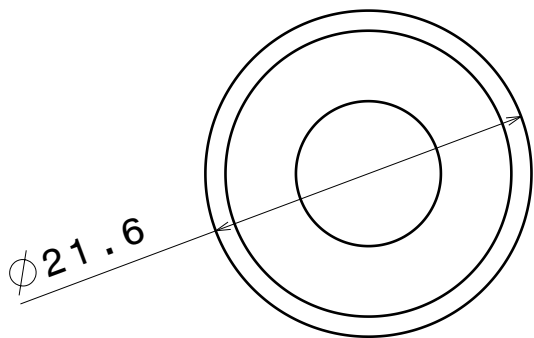
A

4

4



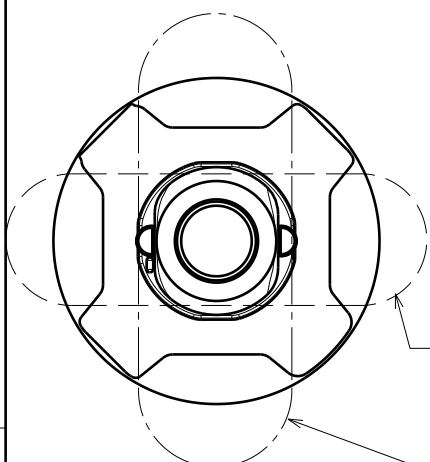
Isometric view



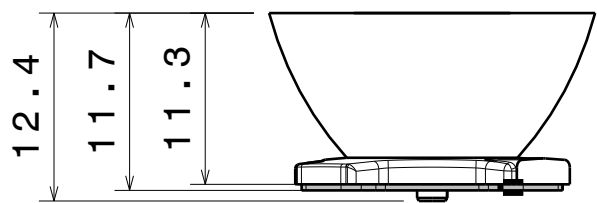
Top view

3

3



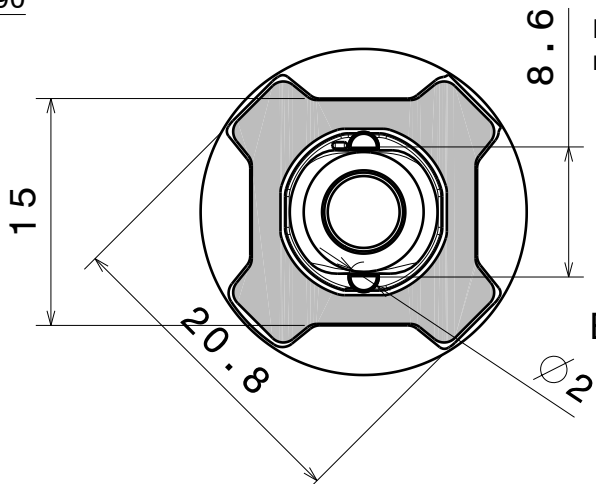
Bottom view
OVAL BEAM direction



Front view

2

2



Bottom view

Material:
 Lens PMMA
 Tape PU Foam

This drawing is our property.
 It can't be reproduced
 or communicated without
 our written agreement.



Ledil Oy
 Salorankatu 10
 FIN-24100 SALO
 Finland

DRAWING TITLE
Datasheet Heidi-Series Assy

DRAWN BY
 ah

DATE
 1.2.2012

CHECKED BY

DATE

SIZE
 A4

DRAWING NUMBER

REV
 2

DESIGNED BY

DATE

SCALE

2:1

WEIGHT (g)

SHEET

1/1

D

A

1

1

AMEYA360

Components Supply Platform

Authorized Distribution Brand :



Website :

Welcome to visit www.ameya360.com

Contact Us :

➤ Address :

401 Building No.5, JiuGe Business Center, Lane 2301, Yishan Rd
Minhang District, Shanghai , China

➤ Sales :

Direct +86 (21) 6401-6692

Email amall@ameya360.com

QQ 800077892

Skype [ameyasales1](#) [ameyasales2](#)

➤ Customer Service :

Email service@ameya360.com

➤ Partnership :

Tel +86 (21) 64016692-8333

Email mkt@ameya360.com