

6.2 x 6.2mm Compact Tactile Switch

Features

Optimized Mechanical Features

- Surface mount gull-wing terminal and standard through hole configurations
- Compatible with IR reflow, wave and manual soldering
- Compatible with automatically dip-soldering
- Variety of operating force & actuator height options

Optimized Contact System

- Excellent tactile feedback

Materials

- Silver coated terminals for better solderability
- High temperature materials (UL94V-0)
- RoHS compliant



Electrical and Mechanical Specifications

Switch Contact Resistance

100 milliohms maximum

Insulation Resistance

100 Megohms minimum between terminals

Maximum Rating

50mA, 12 VDC

Dielectric Strength

250 VAC for 1 minute between adjacent terminals

Operating Force

100, 160 or 260gf

Travel

0.25mm

Operating Temperature

- 40°C to +85°C

Storage Temperature

- 40°C to +85°C

Actuator Strength

3 Kgf maximum

Actuation Life

100 gf: 1,000,000 cycles
160 gf: 1,000,000 cycles
260 gf: 200,000 cycles

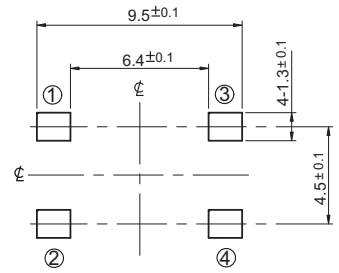
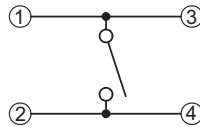
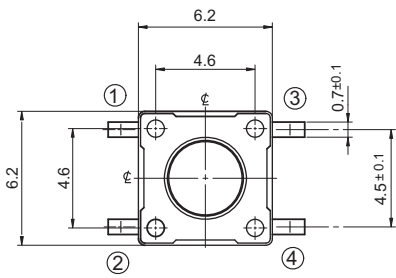
Allowable Solder Time

IR Reflow: Up to 5 seconds at 260°C
Wave soldering: Up to 5 seconds at 260°C
Manual soldering: Up to 3 seconds at 350°C

Packaging

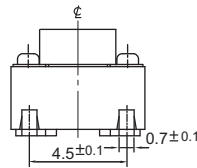
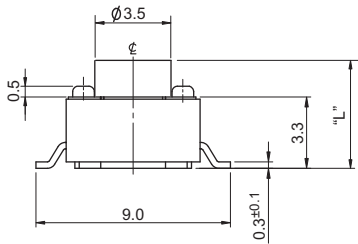
Standard : Bag packaging
Optional : Tape and reel packaging with 330mm diameter reel,
16mm wide plastic tape - for vertical actuation
surface mount gull-wing terminal
24mm wide plastic tape - for side actuation
surface mount gull-wing terminal

CTS SERIES 222AM - Surface Mount Gull Wing, Vertical Actuation



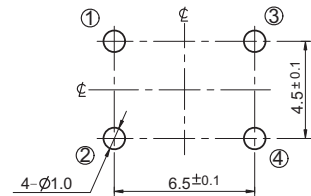
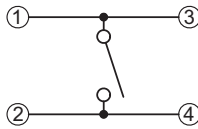
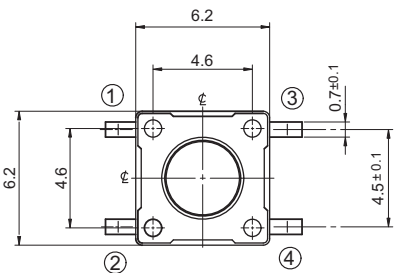
CIRCUIT DIAGRAM

PCB LAYOUT



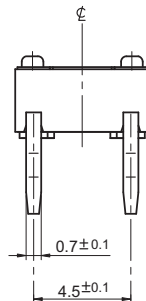
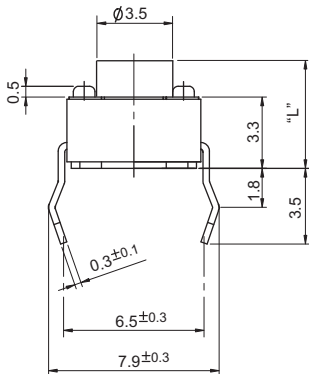
DIMENSION : mm
STANDARD TOLERANCE :
.X (1 PLACE) : ±0.30

CTS SERIES 222AD - Standard Through Hole, Vertical Actuation



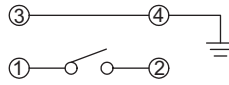
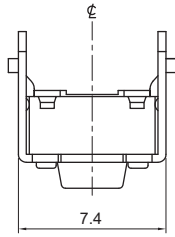
CIRCUIT DIAGRAM

PCB LAYOUT

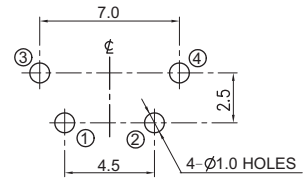


DIMENSION : mm
STANDARD TOLERANCE :
.X (1 PLACE) : ±0.30

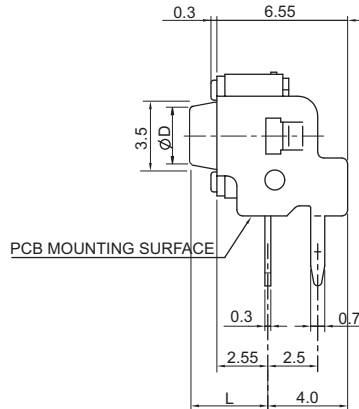
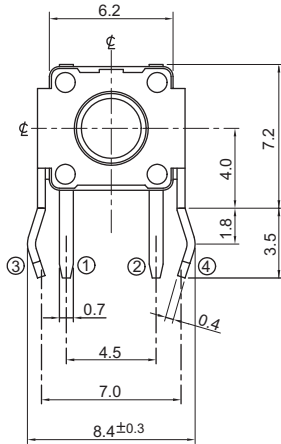
CTS SERIES 222ADS1 - Standard Through Hole, Side Actuation



CIRCUIT DIAGRAM



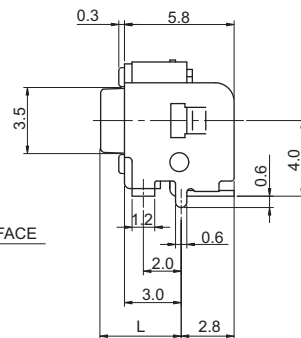
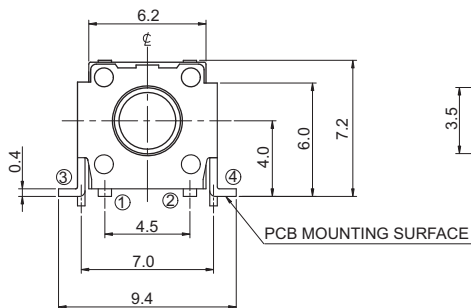
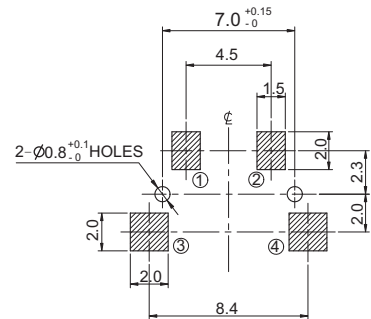
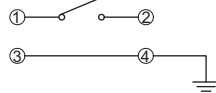
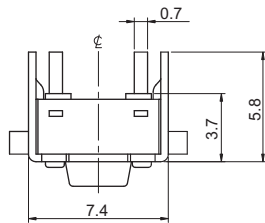
PCB LAYOUT



ØD	L
3.5	3.85
3.0	8.35
3.0	6.85
3.0	5.85

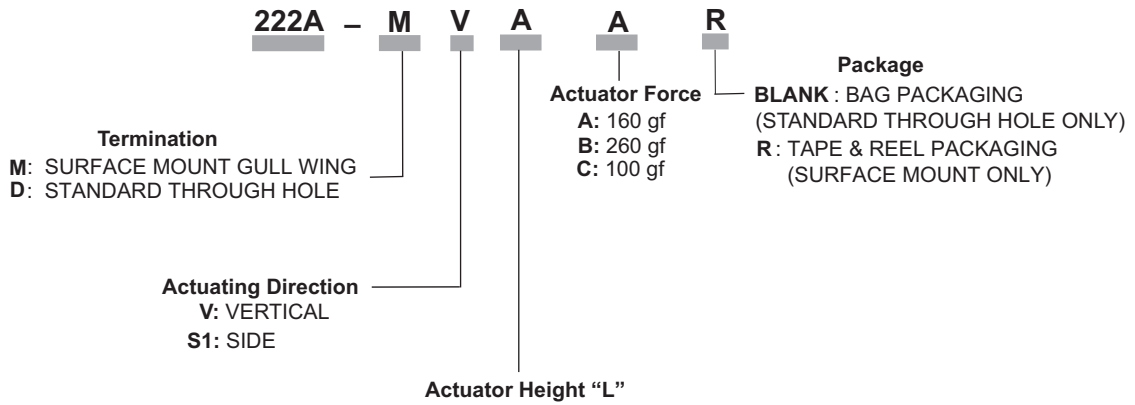
DIMENSION : mm
STANDARD TOLERANCE :
.X (1 PLACE) : ±0.30

CTS SERIES 222AMS1 - Surface Mount Gull Wing, Side Actuation



DIMENSION : mm
STANDARD TOLERANCE :
.X (1 PLACE) : ±0.30

Ordering Information



	ACTUATOR HEIGHT "L" mm									
	A	B	C	D	E	F	G	H	I	J
	4.3	5.0	7.0	9.5	3.85	8.35	6.85	5.85	8.0	3.6
222AMV	☆	☆	☆	☆					☆	
222ADV	☆	☆	☆	☆					☆	☆
222AMS1	☆									
222ADS1					☆	☆	☆	☆		

AMEYA360

Components Supply Platform

Authorized Distribution Brand :



Website :

Welcome to visit www.ameya360.com

Contact Us :

➤ Address :

401 Building No.5, JiuGe Business Center, Lane 2301, Yishan Rd
Minhang District, Shanghai , China

➤ Sales :

Direct +86 (21) 6401-6692

Email amall@ameya360.com

QQ 800077892

Skype [ameyasales1](#) [ameyasales2](#)

➤ Customer Service :

Email service@ameya360.com

➤ Partnership :

Tel +86 (21) 64016692-8333

Email mkt@ameya360.com