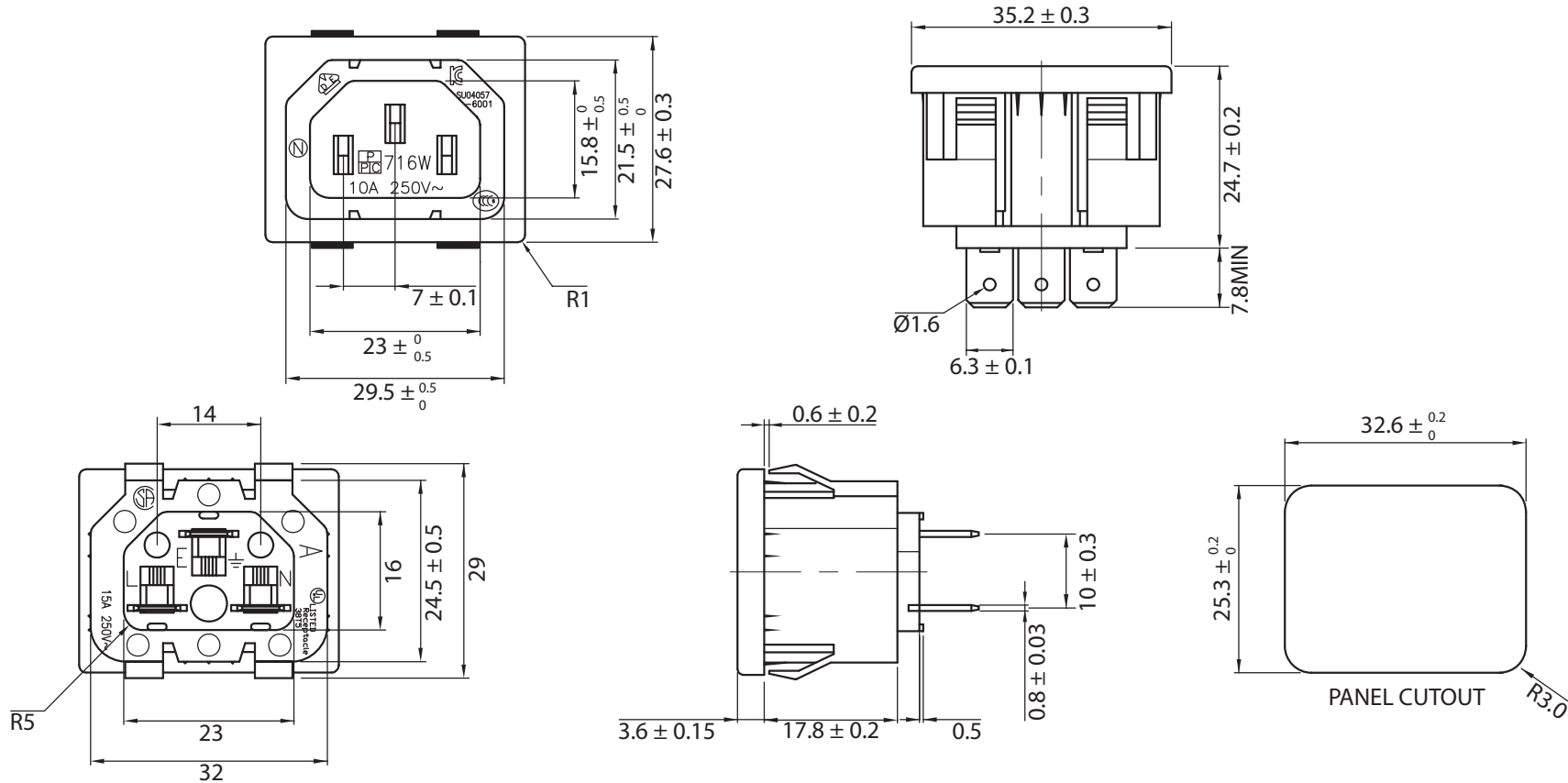


THESE DRAWINGS ARE THE PROPERTY OF QUALTEK ELECTRONICS AND NOT TO BE REPRODUCED FOR OR COMMUNICATED TO A THIRD PARTY WITHOUT THE EXPRESS WRITTEN PERMISSION OF AN OFFICER OF QUALTEK ELECTRONICS.

| REVISION | | | |
|----------|--|----------|----------|
| REV. | DESCRIPTION | DATE | APPROVED |
| B | RoHS Compliancy | 06-01-06 | DP |
| C | Updated Graphics and Dimensions | 06-02-10 | LY |
| D | Added RTI Information | 03-11-11 | LY |
| E | Updated Dimensions | 03-23-11 | LY |
| F | Added Terminal Material and Tolerances | 03-29-11 | LY |



NOTES:

RATING:

UL, CSA: 15A 250V AC
 VDE, NEMKO, CCC, KTL: 10A 250V AC
 APPROVALS: UL, CSA, VDE, NEMKO, CCC
 PANEL THICKNESS: 0.8~1.5mm

MATERIAL:

BODY INSULATOR: PC BLACK COLOR
 TERMINAL: BRASS STRIP C2680 NICKEL PLATED
 UL 746B RELATIVE TEMPERATURE INDEX:
 TENSILE STRENGTH: 125°C
 TENSILE IMPACT STRENGTH: 115°C
 ELECTRIC STRENGTH: 125°C
 RoHS COMPLIANT

CONTROLLED

| Dim range (mm) | Tolerance +/- (mm) | Qualtek Electronics Corp. PPC DIVISION | | |
|----------------|--------------------|---|----------------|-----------------|
| | | Part Number: 716W-X2/03 | RoHS Compliant | |
| 0-1 | 0.15 | Description: AC RECEPTACLE | | |
| 1-6 | 0.20 | | | |
| 6-18 | 0.30 | | | |
| 18-50 | 0.50 | | | |
| 50-120 | 0.70 | Drawn / Date | UNIT: mm | REV. F |
| 120-250 | 0.90 | B.ZHANG 03-10-04 | Checked / Date | Approved / Date |
| 250-500 | 1.20 | | 03-10-04 | JJH / 03-10-04 |

AMEYA360

Components Supply Platform

Authorized Distribution Brand :



Website :

Welcome to visit www.ameya360.com

Contact Us :

➤ Address :

401 Building No.5, JiuGe Business Center, Lane 2301, Yishan Rd
Minhang District, Shanghai , China

➤ Sales :

Direct +86 (21) 6401-6692

Email amall@ameya360.com

QQ 800077892

Skype [ameyasales1](#) [ameyasales2](#)

➤ Customer Service :

Email service@ameya360.com

➤ Partnership :

Tel +86 (21) 64016692-8333

Email mkt@ameya360.com