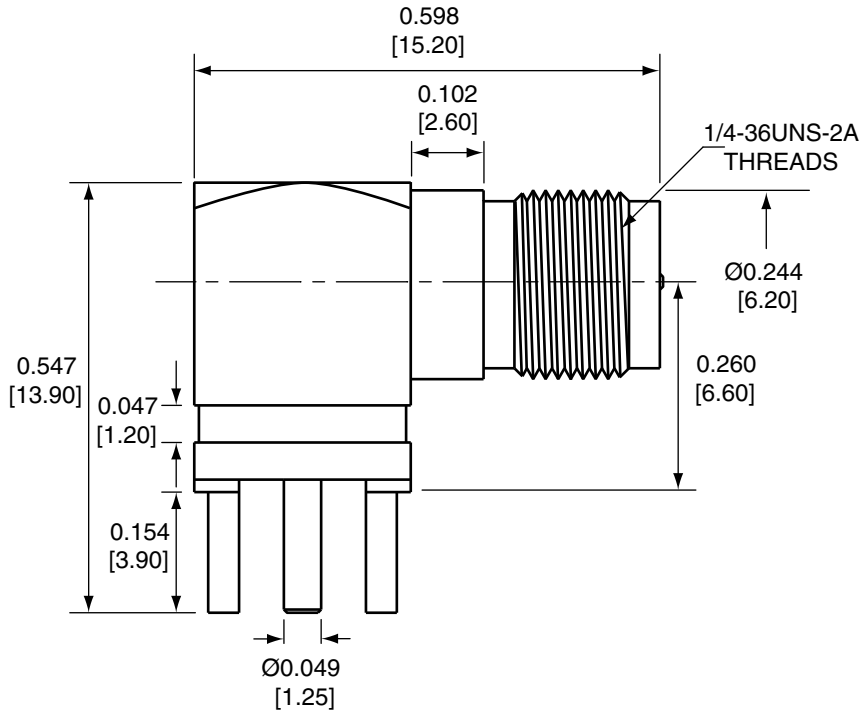
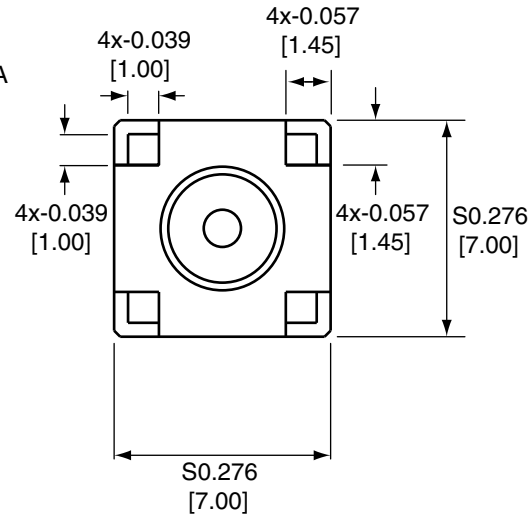


Description	Material	Finish
Body	Brass	Nickel
Pin	Be Cu	Gold
Insulation	PTFE	N/A

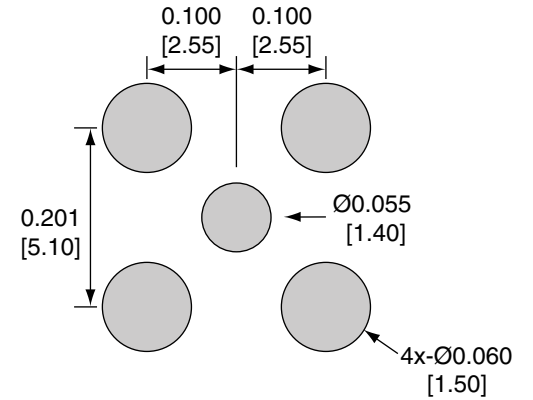
REVISIONS			
REV	DESCRIPTION	DATE	APPV
B	Added new title block; added dimensions to side view of body; updated footprint	5-MAR-12	SAH
C	Updated materials	10-JUL-12	SAH
D	Added pin to PCB dimension	17-OCT-12	SAH



SIDE VIEW



BOTTOM VIEW





RECOMMENDED FOOTPRINT

NOTES: (UNLESS OTHERWISE SPECIFIED)

1. ALL DIMENSIONS ARE IN INCHES [mm].
2. DIMENSIONS APPLY AFTER FINISHING.
3. MANUFACTURE TO BE COMPLIANT WITH EU RoHS DIRECTIVE.
4. SAFETY BREAK ALL SHARP CORNERS AND EDGES .02 MAXIMUM.

WARNING: THIS DRAWING CONTAINS PROPRIETARY INFORMATION THAT IS THE SOLE PROPERTY OF LINX TECHNOLOGIES, AND SHALL BE TREATED AS SUCH. NO DISCLOSURE OR REPRODUCTION OF THIS DOCUMENT IS PERMITTED, IN WHOLE OR IN PART, WITHOUT THE EXPRESS WRITTEN PERMISSION OF LINX TECHNOLOGIES OR ITS DESIGNATED AGENTS.

MATERIAL:	TOLERANCES: .020 [0.50]-.200 [5.00]= ±.008 [0.20] .200 [5.00]-1.200 [30.00]= ±.016 [0.40] 1.20 [30.0]-4.75 [120.0]= ±.024 [0.60] 4.75 [120.0]-12.40 [315.0]= ±.040 [1.0]	PROJECTION:  ANGLES: ±1°
FINISH:	DRAWN: B.MURPHY	DT: 5-MAR-12
	ENGR: S.HOGAN	DT: 10-JUL-12

		159 ORT LANE MERLIN, OR 97532	
		TITLE: RP-SMA FEMALE RIGHT ANGLE PCB MOUNT	
SIZE A	DWG. NO. CONREVSMA002	REV D	
SCALE: 2:1	DO NOT SCALE DRAWING	SHEET 1 OF 1	

AMEYA360

Components Supply Platform

Authorized Distribution Brand :



Website :

Welcome to visit www.ameya360.com

Contact Us :

➤ Address :

401 Building No.5, JiuGe Business Center, Lane 2301, Yishan Rd
Minhang District, Shanghai , China

➤ Sales :

Direct +86 (21) 6401-6692

Email amall@ameya360.com

QQ 800077892

Skype ameyasales1 ameyasales2

➤ Customer Service :

Email service@ameya360.com

➤ Partnership :

Tel +86 (21) 64016692-8333

Email mkt@ameya360.com