

32.768kHz SMD LOW PROFILE CRYSTAL

ABS05

ABS05



ESD Sensitive



RoHS/RoHS II compliant

1.6 x 1.0 x 0.5mm

Moisture Sensitivity Level (MSL) – This product is Hermetically Sealed and not Moisture Sensitive - MSL = N/A: Not Applicable

FEATURES:

- Smallest 32.768KHz package available
- 0.5mm height ideal for high density circuit boards
- Ceramic package offers excellent environmental & heat resistance
- Extended temperature -40°C to +85°C for industrial applications

APPLICATIONS:

- Smart Display Credit Cards
- Wide range in communication & measuring equipment
- Commercial & Industrial applications
- Wireless communications
- PDA and Palm Pilots

STANDARD SPECIFICATIONS:

Parameters	Minimum	Typical	Maximum	Units	Notes
Frequency	32.768			kHz	
Operation Mode	Flexural Mode (Tuning Fork)				
Operating Temperature	-40		+85	°C	
Storage Temperature	-40		+85	°C	
Frequency Tolerance @+25°C	-20		+20	ppm	See options
Temperature Coefficient:	-0.04	-0.03	-0.02	ppm/T ²	
Turn-over temperature:	+20	+25	+30	°C	
Equivalent series resistance (ESR)			90	kΩ	
Load capacitance	12.5			pF	See options
Drive Level			0.5	μW	

OPTIONS AND PART IDENTIFICATION:

(Left blank if standard)

ABS05 – 32.768 kHz - [] - [] - []

Load Capacitance
Blank: 12.5pF
9: 9pF
Contact Abracon for non-standard capacitance

Frequency Tolerance
Blank: ±20ppm
1: ±10ppm
4: ±30ppm

Packaging
Blank: Bulk
T: Tape & Reel (3000pcs/reel)
T5: Tape & Reel (5000pcs/reel)

32.768kHz SMD LOW PROFILE CRYSTAL

ABS05



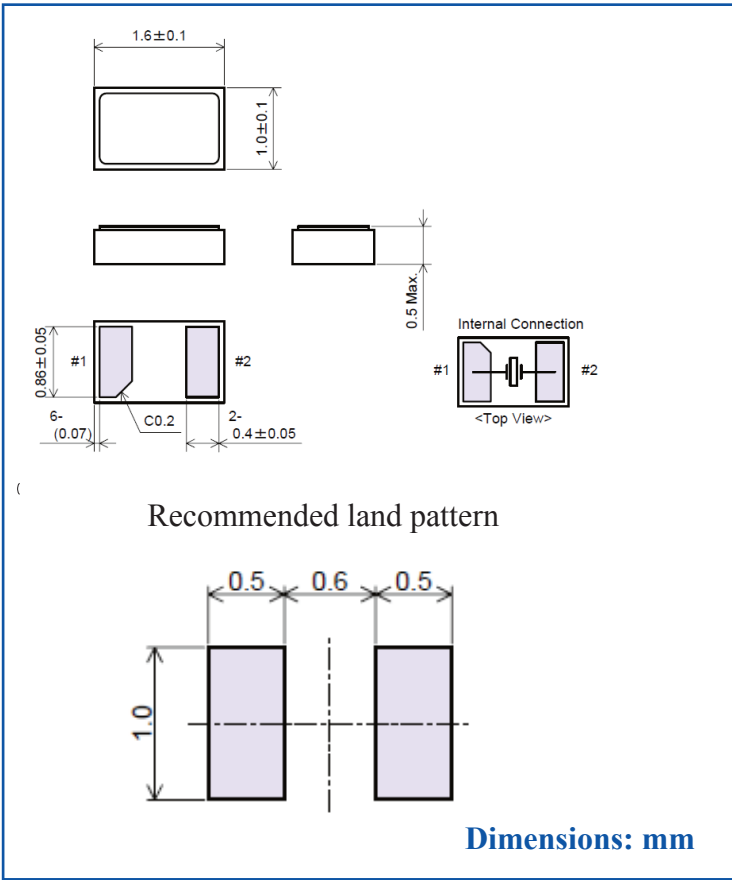
1.6 x 1.0 x 0.5mm

ABS05

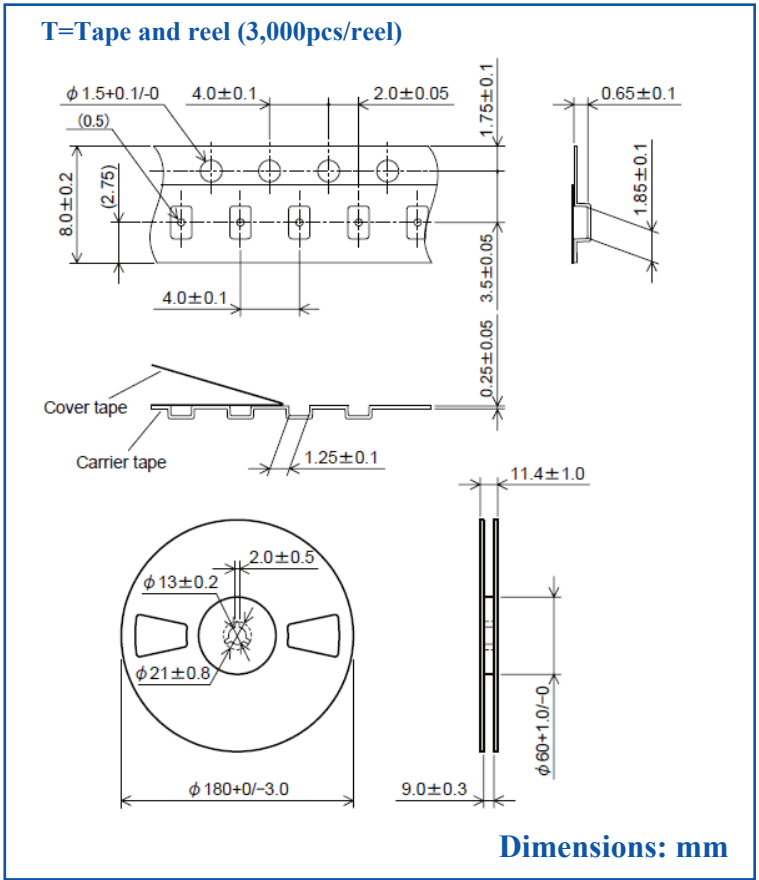


RoHS/RoHS II compliant

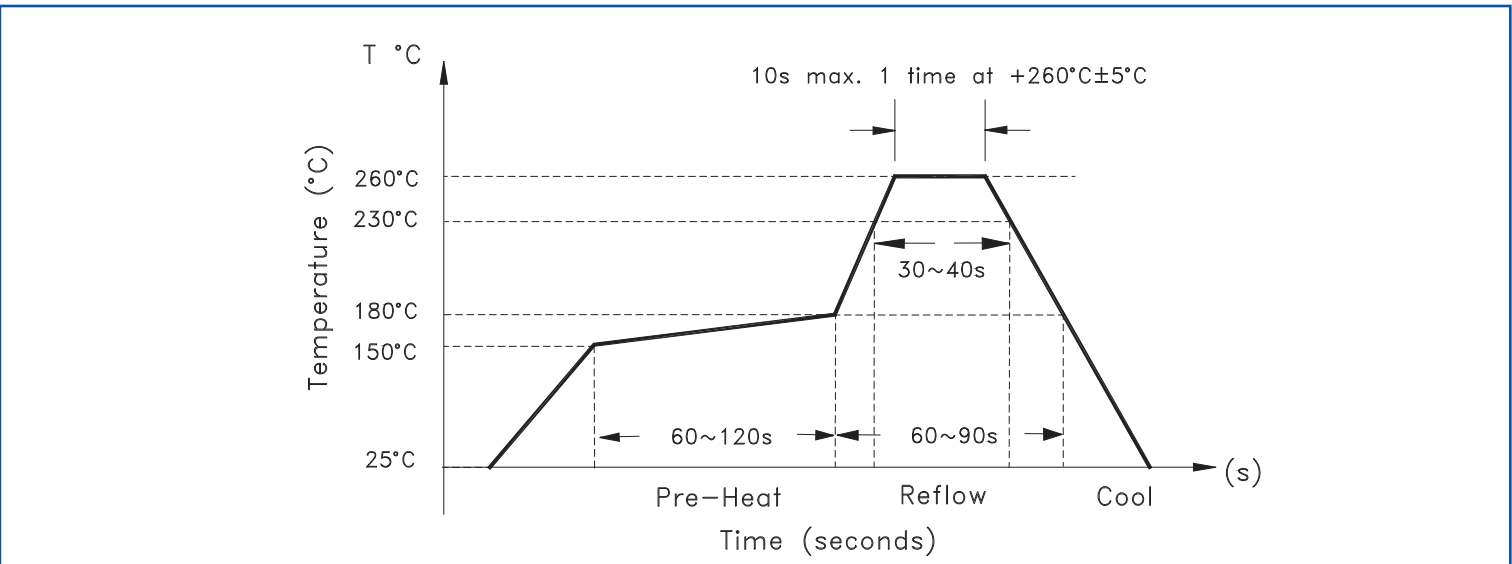
OUTLINE DRAWING:



TAPE & REEL:



REFLOW PROFILE:



Need a test socket for the ABS05 Series? To view compatible **PRECISION TEST & BURN-IN SOCKETS** for these parts, [click here](#). P/N AXS-2012-02-04

ATTENTION: Abracon Corporation's products are COTS – Commercial-Off-The-Shelf products; suitable for Commercial, Industrial and, where designated, Automotive Applications. Abracon's products are not specifically designed for Military, Aviation, Aerospace, Life-dependant Medical applications or any application requiring high reliability where component failure could result in loss of life and/or property. For applications requiring high reliability and/or presenting an extreme operating environment, written consent and authorization from Abracon Corporation is required. Please contact Abracon Corporation for more information.

ABRACON IS
ISO 9001:2008
CERTIFIED



ABRACON[®]
The Power of Linking Together

2 Faraday, Suite# B | Irvine | CA 92618 Revised: 06.03.15

Ph. 949.546.8000 | Fax. 949.546.8001

Visit www.abracon.com for Terms and Conditions of Sale

AMEYA360

Components Supply Platform

Authorized Distribution Brand :



Website :

Welcome to visit www.ameya360.com

Contact Us :

➤ Address :

401 Building No.5, JiuGe Business Center, Lane 2301, Yishan Rd
Minhang District, Shanghai , China

➤ Sales :

Direct +86 (21) 6401-6692

Email amall@ameya360.com

QQ 800077892

Skype [ameyasales1](#) [ameyasales2](#)

➤ Customer Service :

Email service@ameya360.com

➤ Partnership :

Tel +86 (21) 64016692-8333

Email mkt@ameya360.com