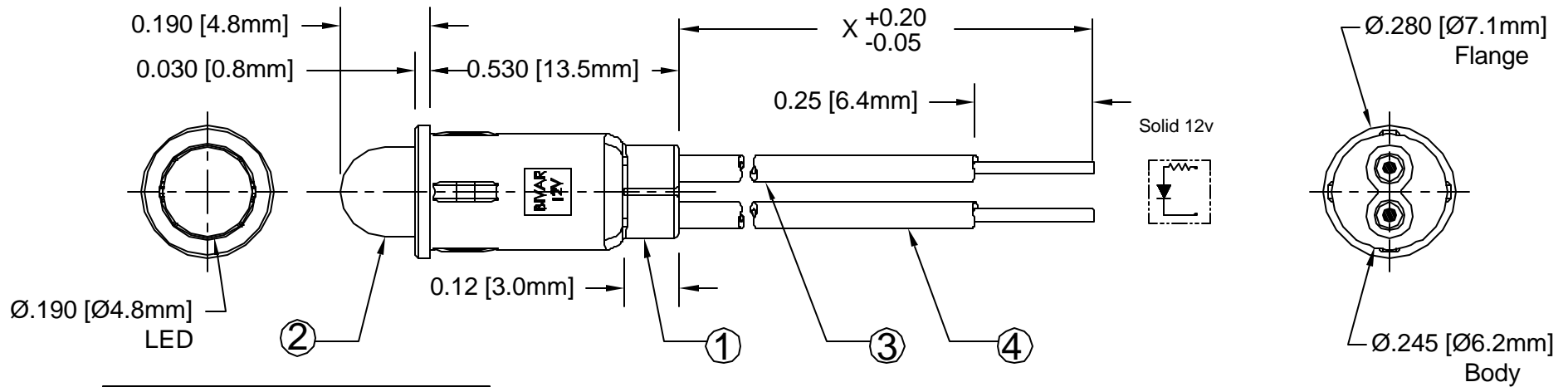


ITEM	Q'TY	PART NUMBER	PART DESCRIPTION
1	1	PM5-12V	LED Holder, Panel Mount, Press Fit, (5mm)
2	1	5XX12V	T-1 1/4 (5mm) Non-Flange LED, See Page 2.
3	1	BWS24-1007-RD	24AWG Wire Lead U.L. 1007, Red
4	1	BWS24-1007-BK	24AWG Wire Lead U.L. 1007, Black

REV.	DESCRIPTION	DATE	APPROVED
A	Engineering Release	02/01/05	M. C.



EXAMPLE:
PM5RD12VWX.X
 Wire Length "X"
 LED Color & Lens Appearance.
 Series

* X.X = Wire Length "X"


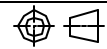
ABSOLUTE MAXIMUM RATINGS (Ta = 25°C)

REVERSE VOLTAGE _____ 5V
 REVERSE CURRENT (VR=5V) _____ 100µA
 OPERATING TEMPERATURE RANGE _____ -40°C ~ 85°C
 STORAGE TEMPERATURE _____ -40°C ~ 100°C
 LEAD SOLDERING TEMPERATURE (1/16" FROM BODY) _____ 260°C for 5 Seconds

STANDARD TOLERANCE (UNLESS OTHERWISE SPECIFIED)		BIVAR®	
DECIMALS	ANGULAR	4 THOMAS, IRVINE, CA. 92618 TEL: (949) 951-8808 FAX: (949) 951-3974	
.X ±.1	X° ± 1°	TITLE: T-1 1/4 (5mm) PANEL MOUNT ASSEMBLY, 12V	
.XX ±.02		PART NO: PM5XX12VWX.X	REVISION: A
.XXX ±.010		CAGE CODE : 32559	SHEET # 1 OF 2
DESIGNED: David Green	DATE: 02/01/05	CAD GENERATED DOCUMENT. DO NOT MEASURE DRAWING.	
CHECKED: T. Yin	DATE: 02/01/05		

REV.	DESCRIPTION	DATE	APPROVED
	SEE SHEET#1.		

LED Assy. No.	Peak Wave Length λ_p (nm)	Emitted Color	Lens Appearance	Electro-Optical Data @ 12V				Viewing Angle $2\theta_{1/2}$ (Deg)	LED P/N
				If (mA)	Vf (V)		Iv (mcd)		
				TYP	TYP	MAX	TYP		
PM5GC12VWX.X	565	GREEN	WATER CLEAR	10	-	12.0	65.0	30	5GC12V
PM5GD12VWX.X	565	GREEN	DIFFUSED	10	-	12.0	35.0	45	5GD12V
PM5YC12VWX.X	585	YELLOW	WATER CLEAR	10	-	12.0	55.0	30	5YC12V
PM5YD12VWX.X	585	YELLOW	DIFFUSED	10	-	12.0	35.0	45	5YD12V
PM5HC12VWX.X	635	HE RED	WATER CLEAR	10	-	12.0	100.0	30	5HC12V
PM5HD12VWX.X	635	HE RED	DIFFUSED	10	-	12.0	35.0	45	5HD12V
PM5RC12VWX.X	700	RED	WATER CLEAR	10	-	12.0	18.0	30	5RC12V
PM5RD12VWX.X	700	RED	DIFFUSED	10	-	12.0	4.5	45	5RD12V

STANDARD TOLERANCE (UNLESS OTHERWISE SPECIFIED) <u>±10% ALL VALUES</u> <u>ANGULAR</u> X° ± 5°		 4 THOMAS, IRVINE, CA. 92618 TEL: (949) 951-8808 FAX: (949) 951-3974	
			
DESIGNED: David Green		DATE: 02/01/05	TITLE: T-1 ¾ (5mm) PANEL MOUNT ASSEMBLY, 12V PART NO: PM5XX12VWX.X REVISION: A
CHECKED: T. Yin		DATE: 02/01/05	CAGE CODE : 32559 SHEET # 2 OF 2 <small>CAD GENERATED DOCUMENT. DO NOT MEASURE DRAWING.</small>

AMEYA360

Components Supply Platform

Authorized Distribution Brand :



Website :

Welcome to visit www.ameya360.com

Contact Us :

➤ Address :

401 Building No.5, JiuGe Business Center, Lane 2301, Yishan Rd
Minhang District, Shanghai , China

➤ Sales :

Direct +86 (21) 6401-6692

Email amall@ameya360.com

QQ 800077892

Skype ameyasales1 ameyasales2

➤ Customer Service :

Email service@ameya360.com

➤ Partnership :

Tel +86 (21) 64016692-8333

Email mkt@ameya360.com