

8400N Series

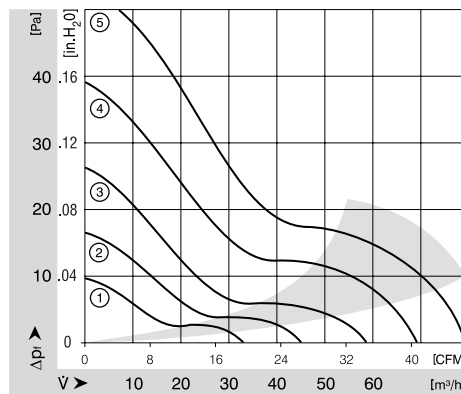
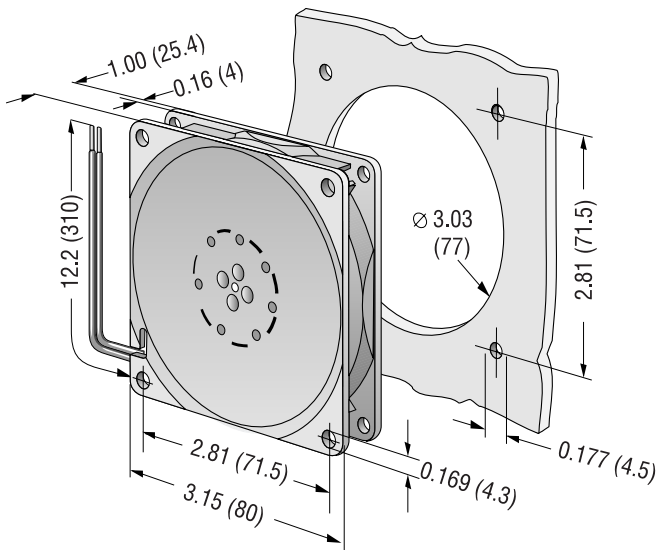
Tubeaxial

80x80x25mm



- DC fans with electronically commutated external rotor motor. Fully integrated commutation electronics.
- With electronic protection against reverse polarity, blocking and overloading; partially impedance protected.
- Mounting from either face using four 4.3 mm holes.
- Fan of fiberglass reinforced plastic. PBTP housing, PA impeller.
- Air exhaust over struts. Rotational direction CCW looking at rotor.
- Electrical connection via 2 leads AWG 24, TR 64. Stripped and tinned ends.
- UL, CSA, VDE approvals on most models, please contact application engineering.

| Part Number | Curve | CFM @ 0 | VDC | Volt. Range | Power (W) | dBA | Max Amb. Temp C | Bearing Type | Features | Wgt. (lbs) |
|-------------|-------|---------|-----|-------------|-----------|-----|-----------------|--------------|----------|------------|
| 8412NGLE | 1 | 19.4 | 12 | 8 to 15 | 0.5 | 12 | 85 | Sintec | Leads | 0.21 |
| 8412NLE | 1 | 19.4 | 12 | 8 to 15 | 0.3 | 17 | 85 | Ball | Leads | 0.21 |
| 8412NGMLE | 2 | 26.5 | 12 | 8 to 15 | 0.9 | 19 | 80 | Sintec | Leads | 0.21 |
| 8412NMLE | 2 | 26.5 | 12 | 8 to 15 | 0.6 | 21 | 85 | Ball | Leads | 0.21 |
| 8412NGME | 3 | 34.1 | 12 | 8 to 15 | 1.4 | 26 | 75 | Sintec | Leads | 0.21 |
| 8412NME | 3 | 34.1 | 12 | 8 to 15 | 1.0 | 27 | 75 | Ball | Leads | 0.21 |
| 8412NG | 4 | 40.6 | 12 | 8 to 15 | 2.0 | 32 | 70 | Sintec | Leads | 0.21 |
| 8412N | 4 | 40.6 | 12 | 8 to 15 | 2.0 | 32 | 70 | Ball | Leads | 0.21 |
| 8412NH | 5 | 46.5 | 12 | 8 to 13.2 | 2.2 | 37 | 70 | Ball | Leads | 0.21 |
| 8412NGH | 5 | 46.5 | 12 | 8 to 13.2 | 2.2 | 37 | 70 | Sintec | Leads | 0.21 |



ebmpapst

e-mail: sales@us.ebmpapst.com · TEL: 860-674-1515 · FAX: 860-674-8536

ebm-papst Inc., 100 Hyde Road, Farmington, CT 06034 USA

ebm-papst Inc., 2006 © ebm-papst Inc. reserves the right to change any specifications or data without notice

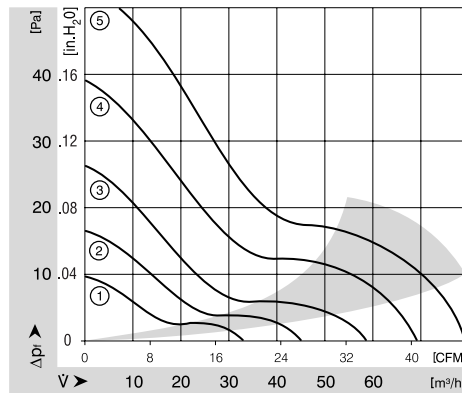
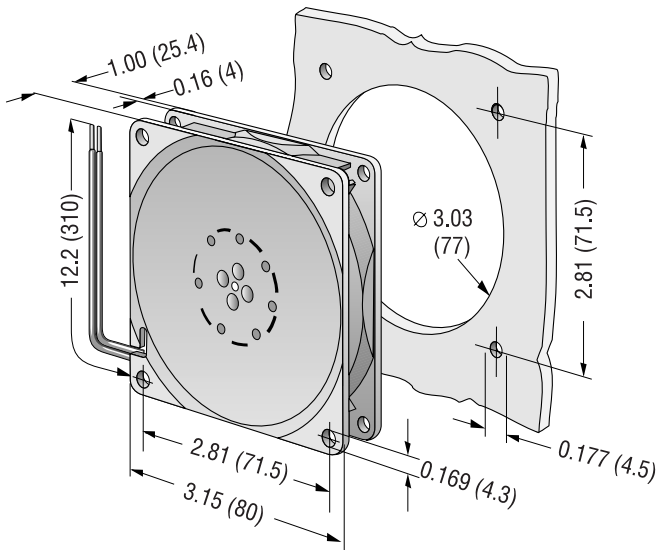
8400N Series cont. Tubeaxial

80x80x25mm



- DC fans with electronically commutated external rotor motor. Fully integrated commutation electronics.
- With electronic protection against reverse polarity, blocking and overloading; partially impedance protected.
- Mounting from either face using four 4.3 mm holes.
- Fan of fiberglass reinforced plastic. PBTP housing, PA impeller.
- Air exhaust over struts. Rotational direction CCW looking at rotor.
- Electrical connection via 2 leads AWG 24, TR 64. Stripped and tinned ends.
- UL, CSA, VDE approvals on some models, please contact application engineering.

| Part Number | Curve | CFM @ 0 | VDC | Volt. Range | Power (W) | dBA | Max Amb. Temp C | Bearing Type | Features | Wgt. (lbs) |
|-------------|-------|---------|-----|-------------|-----------|-----|-----------------|--------------|----------|------------|
| 8414NL | 1 | 19.4 | 24 | 18 to 28 | 0.7 | 17 | 70 | Ball | Leads | 0.21 |
| 8414NGL | 1 | 19.4 | 24 | 18 to 28 | 0.7 | 12 | 70 | Sintec | Leads | 0.21 |
| 8414NML | 2 | 26.5 | 24 | 18 to 28 | 1.1 | 21 | 70 | Ball | Leads | 0.21 |
| 8414NGML | 2 | 26.5 | 24 | 18 to 28 | 1.1 | 19 | 70 | Sintec | Leads | 0.21 |
| 8414NGM | 3 | 34.1 | 24 | 18 to 28 | 1.4 | 26 | 70 | Sintec | Leads | 0.21 |
| 8414NM | 3 | 34.1 | 24 | 18 to 28 | 1.4 | 27 | 70 | Ball | Leads | 0.21 |
| 8414N | 4 | 40.6 | 24 | 18 to 28 | 2.0 | 32 | 70 | Ball | Leads | 0.21 |
| 8414NG | 4 | 40.6 | 24 | 18 to 28 | 2.0 | 32 | 70 | Sintec | Leads | 0.21 |
| 8414NGH | 5 | 46.5 | 24 | 18 to 28 | 2.4 | 37 | 70 | Sintec | Leads | 0.21 |
| 8414NH | 5 | 46.5 | 24 | 18 to 28 | 2.4 | 37 | 70 | Ball | Leads | 0.21 |



AMEYA360

Components Supply Platform

Authorized Distribution Brand :



Website :

Welcome to visit www.ameya360.com

Contact Us :

➤ Address :

401 Building No.5, JiuGe Business Center, Lane 2301, Yishan Rd
Minhang District, Shanghai , China

➤ Sales :

Direct +86 (21) 6401-6692

Email amall@ameya360.com

QQ 800077892

Skype [ameyasales1](#) [ameyasales2](#)

➤ Customer Service :

Email service@ameya360.com

➤ Partnership :

Tel +86 (21) 64016692-8333

Email mkt@ameya360.com