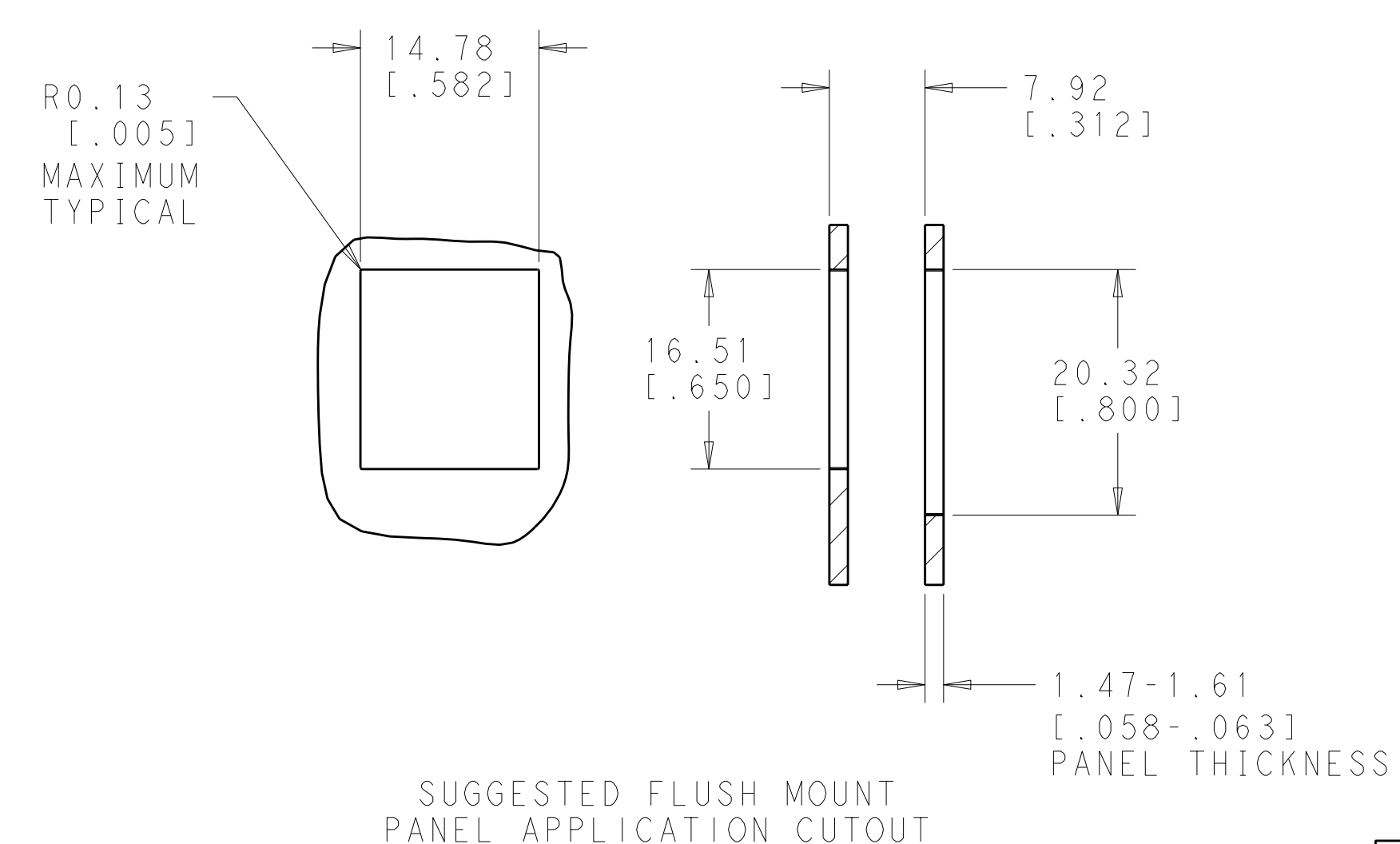
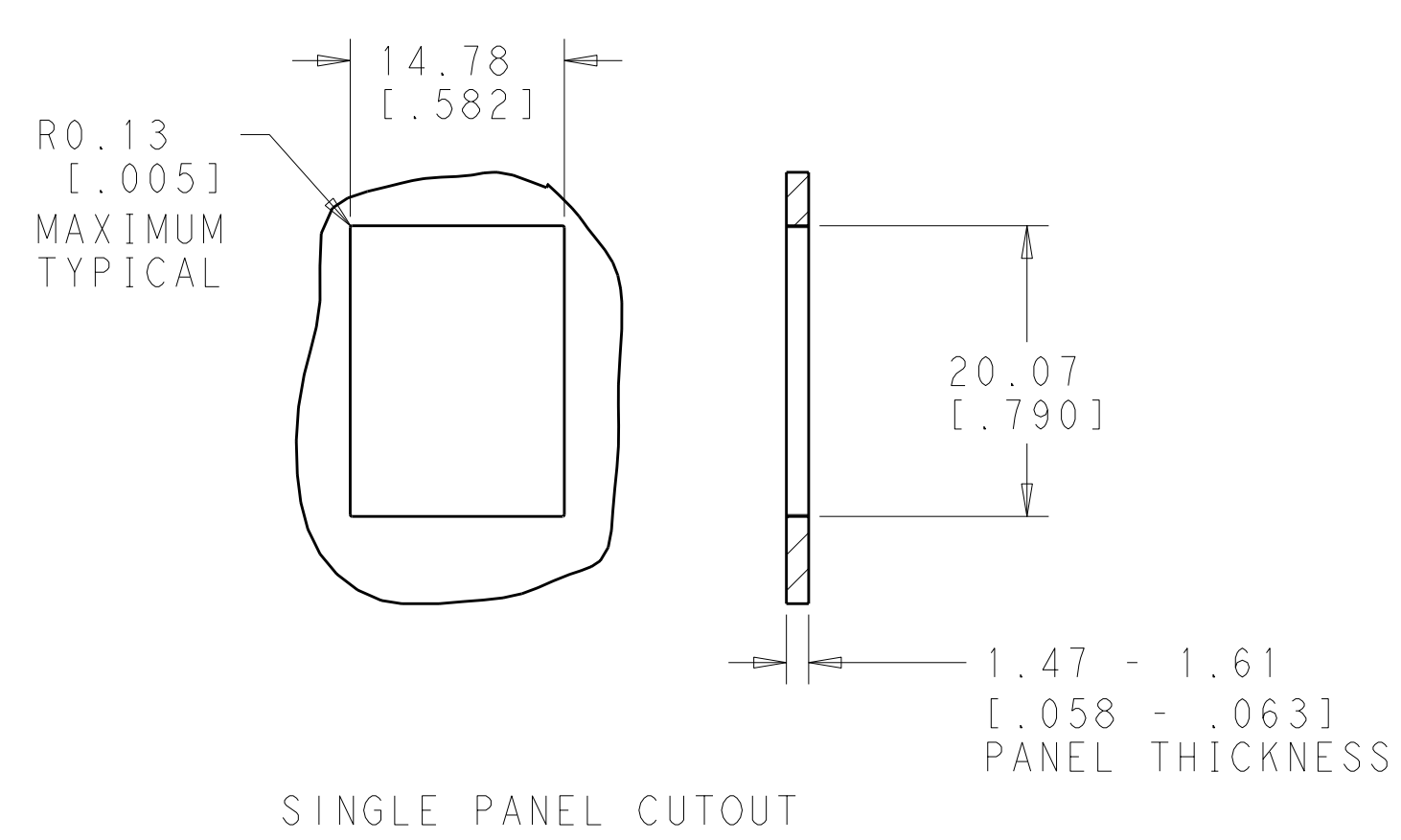
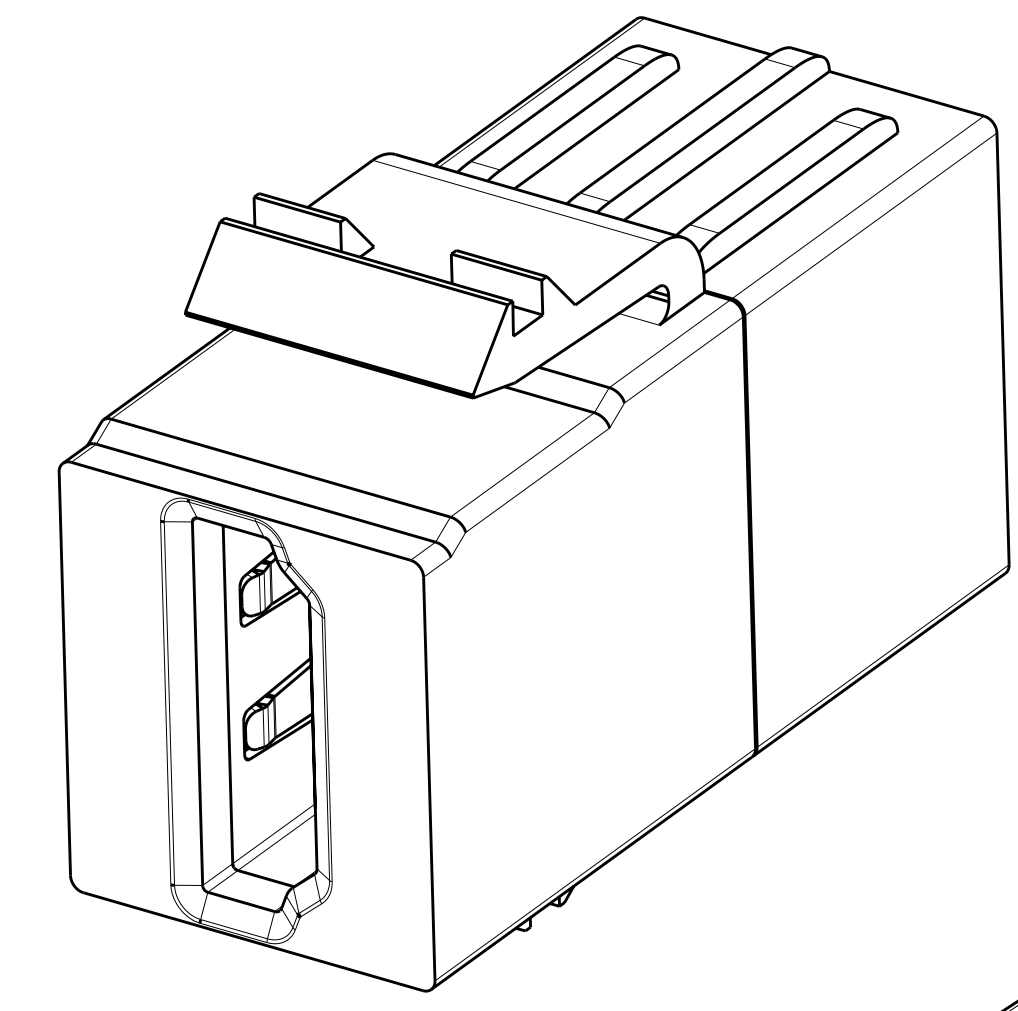
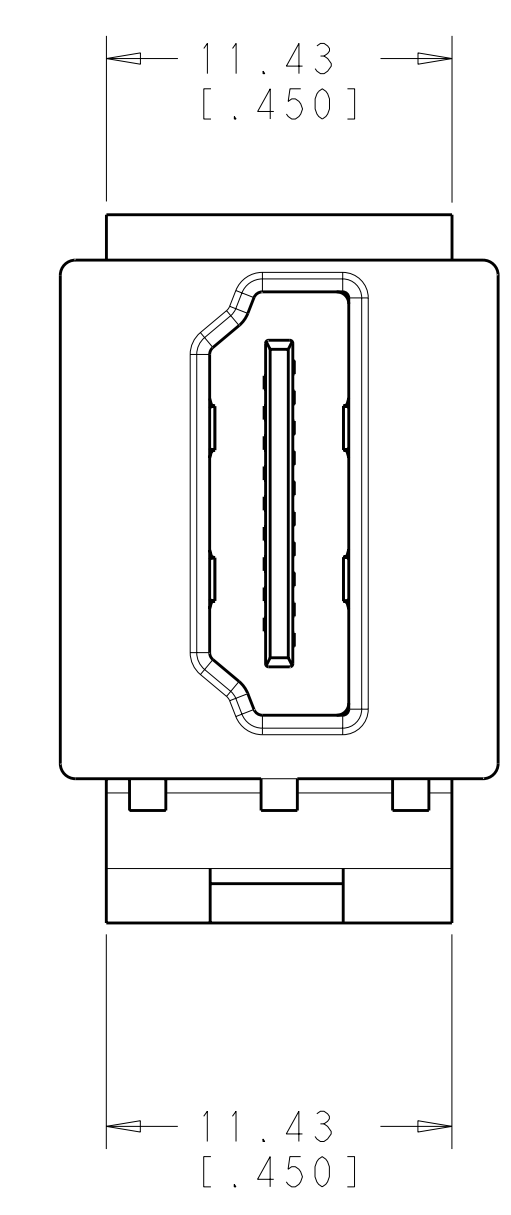
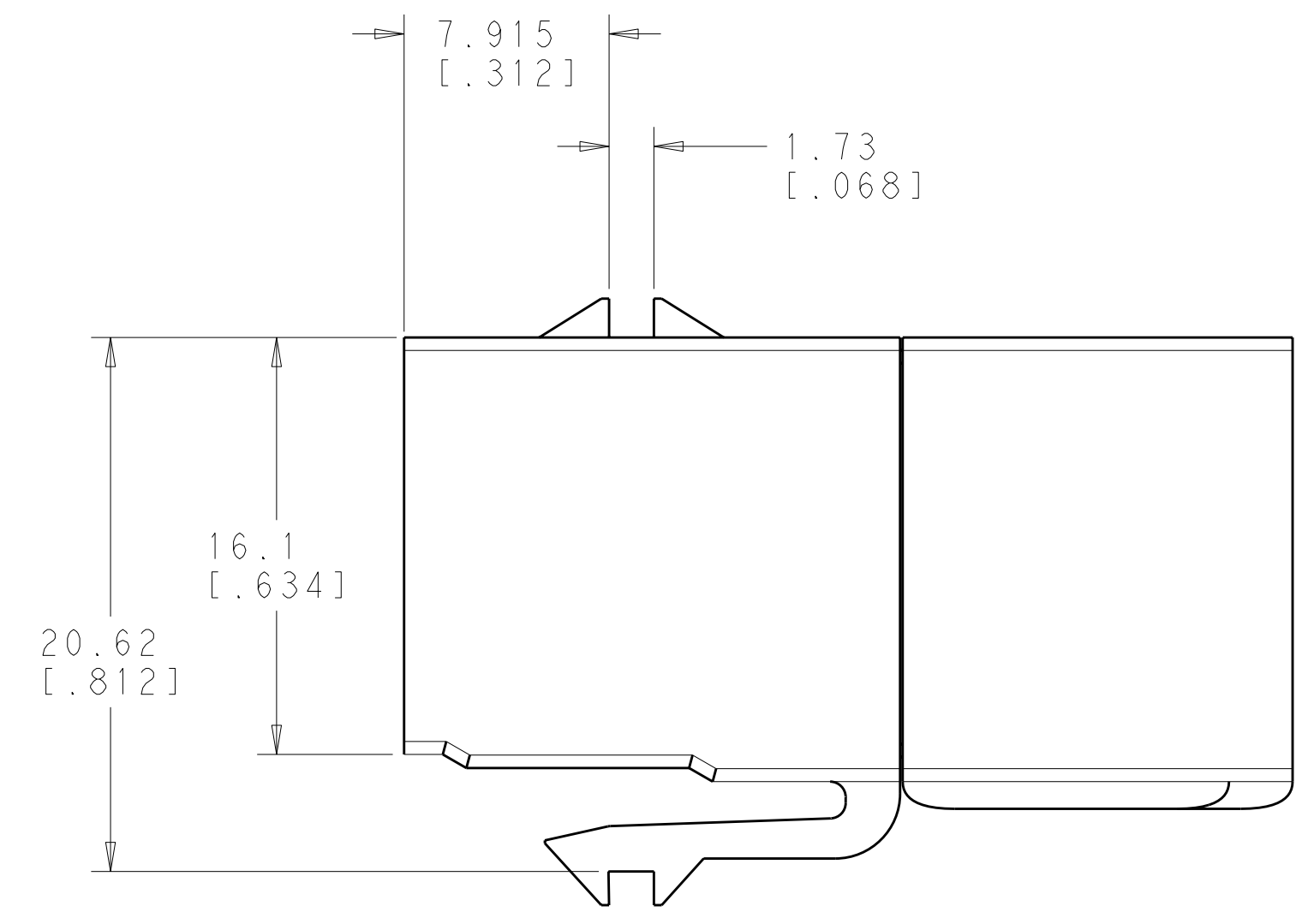
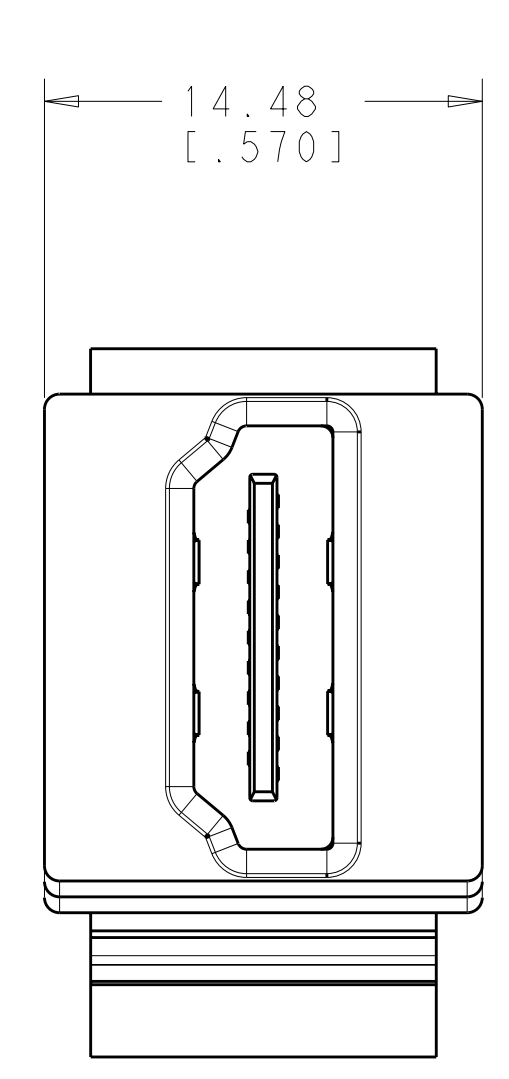
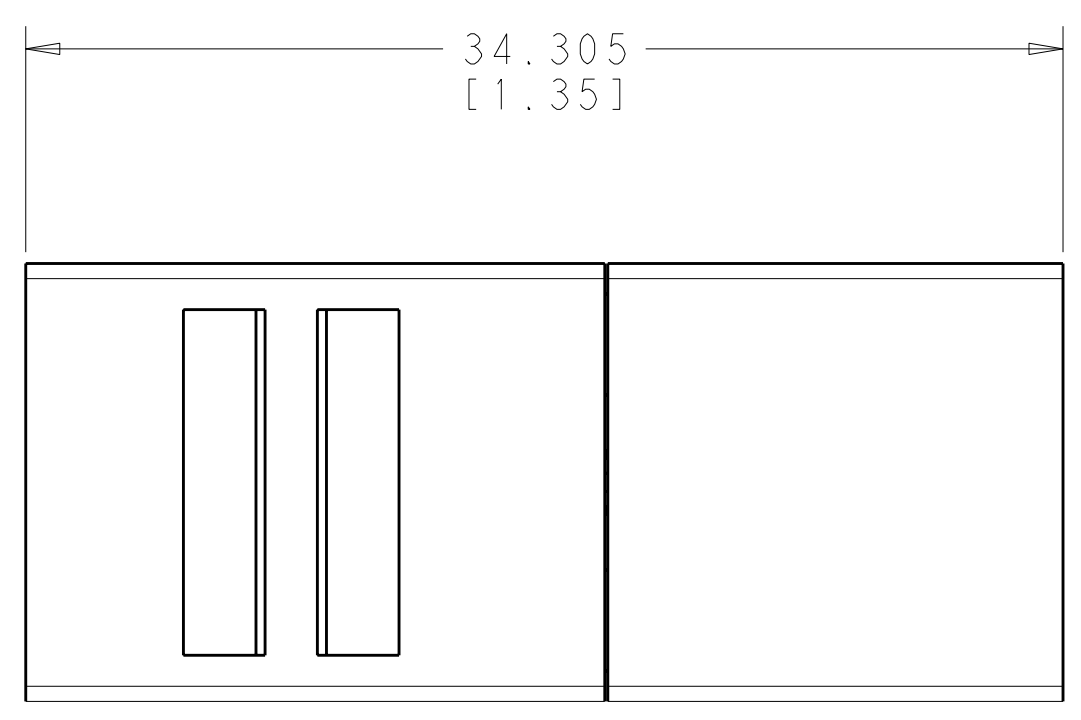


LOC	DIST	REVISIONS			
HM	00	REV	DATE	BY	APPD
		A	11 JUN 2010	GG	RA



1 MATERIAL: ABS MOLDING COMPOUND.
 UL94V-0 THERMOPLASTIC.

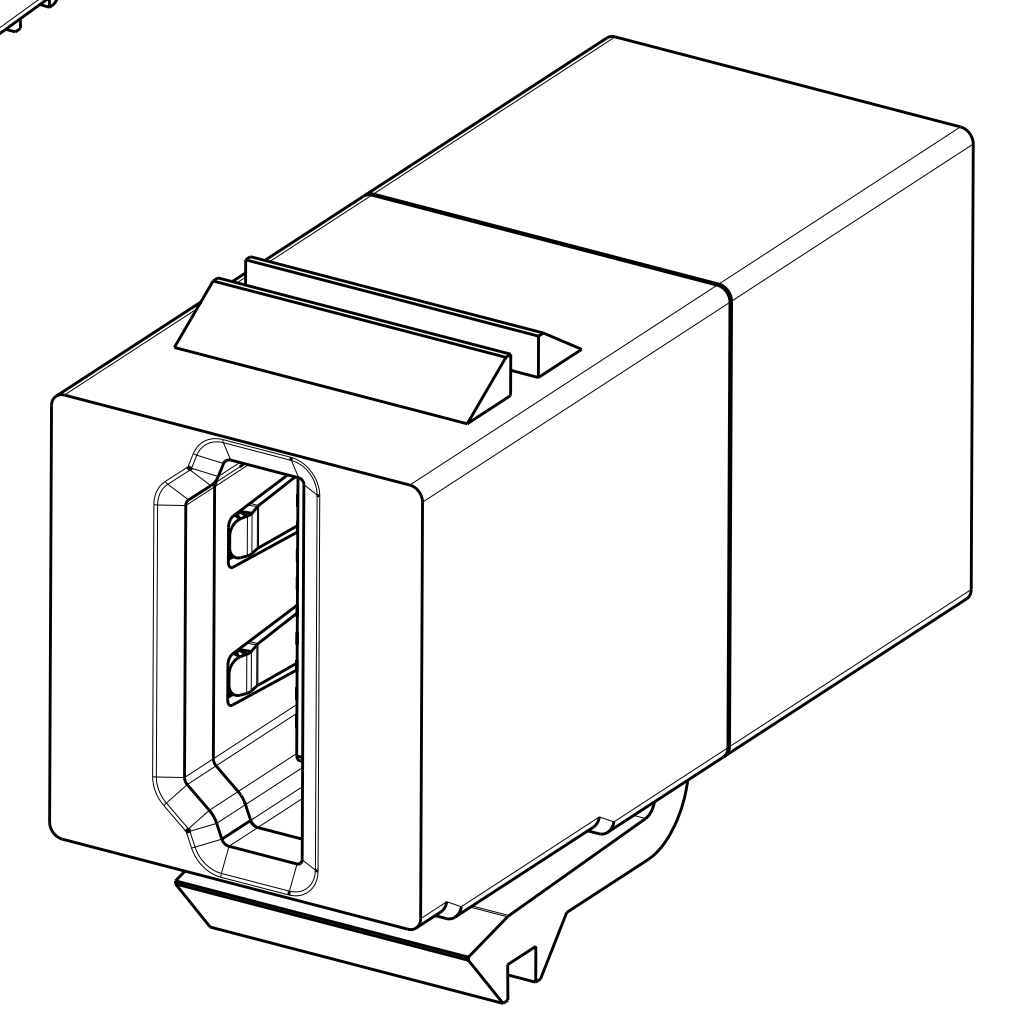
2 ALL DIMENSIONS SHOWN ARE NOMINAL.

3. ELECTRICAL:

- CONTACT CURRENT RATING: 0.5A MIN.
- VOLTAGE RATING: 40V AC(rms)
- INSULATION RESISTANCE: 100M OHMS MIN
- CONTACT RESISTANCE: 10M OHMS MAX
- DIELECTRIC WITHSTANDING VOLTAGE: 300V AC
- OPERATION TEMPERATURE: -55°C TO +85°C

4. MECHANICAL:

- INSERTION FORCE: 4.5KGF MAX
- WITHDRAW FORCE: 0.5KGF - 4KGF
- DURABILITY MATING CYCLE: 10,000 CYCLES MIN



BLACK	2111500-2
COLOR	PART NUMBER

<small>THE INFORMATION CONTAINED HEREIN IS UNCLASSIFIED EXCEPT WHERE SHOWN OTHERWISE. IT IS SUBJECT TO CHANGE WITHOUT NOTICE AND WITHOUT LIABILITY. CONTACT YOUR LOCAL SALES OFFICE FOR THE LATEST REVISION.</small>		DWN: G. GARRETT 14APR2010 CHK: R. ASHRY 14APR2010 APVD: R. ASHRY 14APR2010	Tyco Electronics Corporation Harrisburg, PA 17105-3608
DIMENSIONS: mm [INCHES]	TOLERANCES UNLESS OTHERWISE SPECIFIED:	PRODUCT SPEC APPLICATION SPEC	NAME: HDMI COUPLER, SL SIZE: CAGE CODE DRAWING NO: A100779C-2111500 RESTRICTED TO:
MATERIAL:	FINISH:	WEIGHT:	CUSTOMER DRAWING

AMEYA360

Components Supply Platform

Authorized Distribution Brand :



Website :

Welcome to visit www.ameya360.com

Contact Us :

> Address :

401 Building No.5, JiuGe Business Center, Lane 2301, Yishan Rd
Minhang District, Shanghai , China

> Sales :

Direct +86 (21) 6401-6692
Email amall@ameya360.com
QQ 800077892
Skype ameyasales1 ameyasales2

> Customer Service :

Email service@ameya360.com

> Partnership :

Tel +86 (21) 64016692-8333
Email mkt@ameya360.com