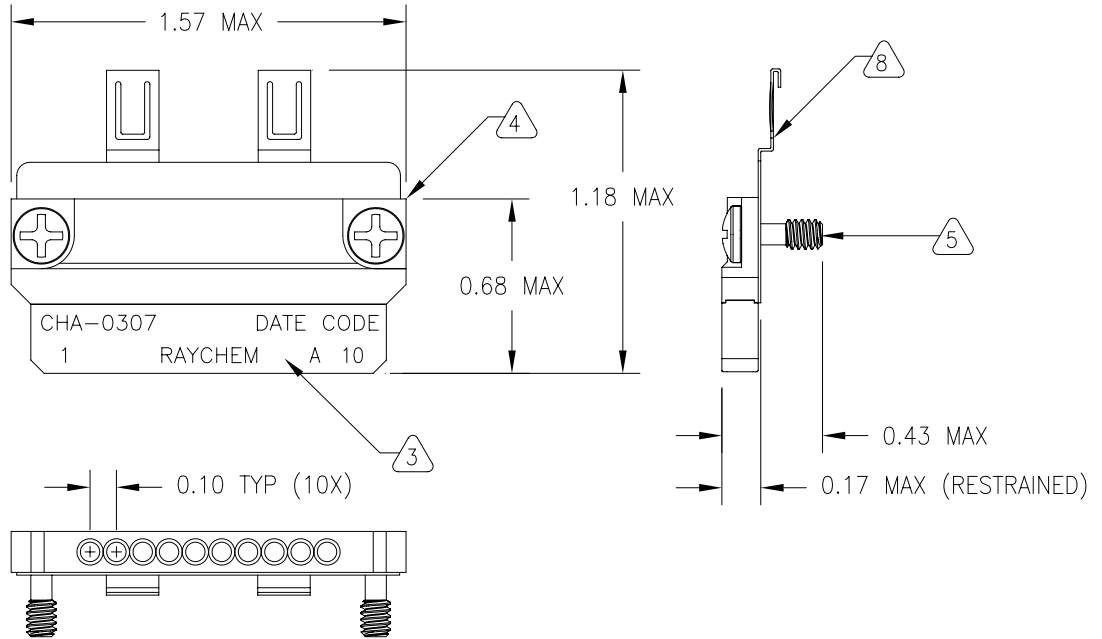


If this document is printed it becomes uncontrolled.
Check for the latest revision.

REVISION		
REV	DESCRIPTION	DATE
C	REVISED PER DCR C041089	11OCT2004



Notes:

- Application: Electroless Nickel MTC SH1 Plug Shells
- For Use With MIL-C 39029/58-360, Size 22 Contacts
- End Cap: Glass Filled Nylon, Flame Retardant, Black
- Main Body: Aluminum, Electroless Nickel Plated
- Screws: 4-40 Phillips Head, A-286 CRES, Passivated, Captive, Self-Locking
- Electrical Contacts: Brass / Beryllium Copper, Gold Plated
- Markings: High Contrast Ink
- Bus Bar, Beryllium Copper, Electroless Nickel Plated
- Meets Raychem Specification C-6114 Requirements
- Contact Cavity Bore Dia, Plated: .0685/0690 (REF)

© 2004 TYCO ELECTRONICS CORPORATION. ALL RIGHTS RESERVED.

SPECIFICATION CONTROL DRAWING

UNLESS OTHERWISE SPECIFIED DIMENSIONS ARE INCHES. METRIC DIMENSIONS ARE IN BRACKETS.	DRAWN T RATZLAFF	DATE 26MAR2004		TYCO ELECTRONICS 300 CONSTITUTION DRIVE MENLO PARK, CA 94025		Raychem
	MATERIAL SEE NOTES			TITLE 1-INCH MTC GROUNDING BLOCK WITH FINGERS		
DECIMAL TOLERANCES .XXX ± 0.005 [0.13 mm] .XX ± 0.010 [0.25 mm] .X ± 0.020 [0.50 mm]	FINISH SEE NOTES		SIZE A	CAGE CODE 06090	DWG. NO. CHA-0307	
ANGLE TOLERANCE .X ± 0.5 DEG.	THIRD ANGLE PROJECTION		DO NOT SCALE THIS DRAWING		SHEET 1 OF 1	
WEIGHT (NOM) LBS. 0.0137 [6.2 gm]	CAD FILE C041089.DWG					

AMEYA360

Components Supply Platform

Authorized Distribution Brand :



Website :

Welcome to visit www.ameya360.com

Contact Us :

➤ Address :

401 Building No.5, JiuGe Business Center, Lane 2301, Yishan Rd
Minhang District, Shanghai , China

➤ Sales :

Direct +86 (21) 6401-6692

Email amall@ameya360.com

QQ 800077892

Skype [ameyasales1](#) [ameyasales2](#)

➤ Customer Service :

Email service@ameya360.com

➤ Partnership :

Tel +86 (21) 64016692-8333

Email mkt@ameya360.com